



2018 - 2019

Product Catalogue  
**2018 - 2019**



## Welcome to the 2018/2019 product catalogue



**247Lighting** is a leading brand of LED Lighting for the Automotive, Commercial Vehicle and Agricultural Trades. Distributed by Group247, **247Lighting** continues to grow from strength to strength throughout Ireland, the UK and Europe. Our regulated and reputable range is both extensive and diverse, developed to meet industry demand. We place great value on **ECE compliance** and on high **IP ratings**, ensuring our products are continually viewed as the best on the market.



Unit 4,  
Lakelands Enterprise Centre,  
Ballydangan, Athlone,  
Co. Roscommon,  
N37 H5Y0, Ireland.

IRELAND: 090 9673232

UK: 0121 6474857

INTL: ++353 90 9673232

[sales@247lighting.net](mailto:sales@247lighting.net)

[www.247lighting.net](http://www.247lighting.net)





247Lighting est une marque leader de l'éclairage LED pour les automobiles, les véhicules commerciaux et les métiers de l'agriculture. Distribué par Group247, 247Lighting continue à se développer de plus en plus forte à travers l'Irlande, le Royaume Unis et l'Europe. Notre vaste gamme de bonne réputation est diversifié et étudié pour satisfaire la demande industrielle. Nous accordons une grande valeur à les normatives CEE et les standards élevées d'IP, en assurant que nos produits sont toujours considérés les meilleurs sur le marché.



247Lighting ist eine führende Marke der LED-Beleuchtung für den Automobil-, Lastkraftwagen- und Agrarhandel. Verteilt durch Group247, 247Lighting entwickelt sich weiterhin prächtig in Irland, Großbritannien und Europa. Unser reguliertes und namhaftes Sortiment ist umfangreich und vielfältig, entwickelt um den strengsten Industriestandards zu entsprechen. Darüber hinaus legen wir auch großen Wert auf die Erfüllung branchenspezifischer ECE-Bedingungen und auf hohen IP-Schutzarten, um sicherzustellen, dass unsere Produkte kontinuierlich als die Besten auf dem Markt angesehen werden.



247Lighting è un insegna leader nel campo dell'illuminazione LED per Auto, Veicoli commerciali e Agricoli. Distribuito dal Gruppo 247, 247Lighting continua a crescere sempre più attraverso Irlanda, Regno Unito ed Europa. La nostra linea di prodotti è vasta e diversificata, studiata per venire incontro a fabbisogni industriali. Noi poniamo grande valore nel rispetto delle normative CEE ed in alti standard IP, assicurandoci che i nostri prodotti siano continuamente visti come i migliori sul mercato.



247Lighting es una marca líder en el sector de la iluminación LED para automóviles, vehículos comerciales y el comercio agrícola. Distribuido por Group247, 247Lighting sigue creciendo con fuerza a través de Irlanda, el Reino Unido y Europa. Nuestra gama de productos, de alta reputación y bien regulada, es extensa, amplia y diversa. Nuestros productos se han desarrollado especialmente para satisfacer los estándares cada vez más exigentes de la industria y para garantizar el cumplimiento de las normas de la industria. Además, damos mucha importancia al cumplimiento de las normas de la Comisión Económica para Europa (CEPE) y los altos grados de protección IP, para asegurar que nuestros productos están considerados como los mejores productos del mercado.



# Symbols



European Commission for Europe certifies products in accordance with ECE regulations.



Electromagnetic compatibility certifies products in accordance with EMC requirements.



European commission for Europe approved Regulation 65.



Light Emitting Diode UP to 80% more efficient than standard bulbs.



Super bright Light Emitting Diode.



Denotes the number of LEDs present in the product.



Surface Mount Diode. Mounted light LED chips, consume very little energy & omit bright light.



Xenon is used in lamps that make intense flashes, such as strobe lights.



Chip On Board brighter LED with 30% more efficiency.



Bulb Technology used.



Denotes the number of flash patterns.



The light distribution from this product is 360°.



This product is 180° turnable.



Reversing Camera Kit with Audio features included.



Reversing Camera Kit with Audio features NOT included.



Reversing Camera Kit can take up to \* (2/4) set number of cameras.



Reversing Camera Kit is using wireless technology.



Remote Control is available with this model of Reversing Camera Kit.



Digital Video Recorder features available with this model.



Monitor is using Touch Screen Technology



This product is fully rechargeable via USB.



This product is rechargeable.

## Table of Contents

### Merchandisers

247 Lighting Stand (1280mm) .....	07
247 Electrical Stand (1280mm) .....	08
247 Combi Stand (1280mm) .....	09
247 LED Merchandiser (700mm) .....	10
247 Electrical Merchandiser (700mm) .....	10
247 Display Stands .....	11
247 Handy Packs .....	12

### Beacons & Lightbars

Reg 65 LED Beacons .....	14-16
Reg 65 SMD Beacons .....	17-18
Mini LED / Xenon Beacons .....	19-20
LED Beacons .....	21-23
Rotating Beacons (Halogen) .....	24
Adaptors .....	25
Resistors .....	25
Extras (Accessories) .....	25
LED Lightbar (Mini Master) .....	26
Reg 65 LED Lightbar (Mini Master) .....	27
Reg 65 LED Lightbar (Eclipse) .....	28-29
LED Lightbar w/ Alley Lights (New) .....	30
Resistors .....	20
Reg 65 Rotating Lightbar .....	31

### Warning Lights

LED Warning Lights .....	32-36
--------------------------	-------

### Work Lamps

Mini Work Lamps .....	38-39
4" Work Lamps .....	40-43
5" Work Lamps .....	44
6" Work Lamps .....	44-46
Rubber Housing Work Lamps .....	47
Adventure Work Lamps .....	48-49
Explorer Work Lamps .....	50

### Tail Lamps

Multifunctional Tail Lamps .....	51-64
Marker Lamps .....	65-67
Stalk Lamps .....	68-71
Number Plate Lamps .....	72

### Trailer Boards

Trailer Boards.....	73
LED Trailer Boards.....	73
Magnetic Trailer Lights .....	74
LED Magnetic Trailer Lights .....	74

### Interior Lights

Round Interior Lights .....	76
Rectangular Interior Lights .....	77-78
Swivel Lights .....	79
Corner Interior Light .....	80

### LED Lead / Flood Lights

LED Lead Lights .....	81
LED Flood Lights .....	82

### 247 SAFETY ..... 83

#### Reversing Aids

No Audio Reversing Camera Kit .....	84
Wireless Reversing Camera Kit .....	85
5" Colour Monitor .....	86
Warning Devices .....	86
Mirrors .....	87-90

### 247 ELECTRICAL ..... 91

#### Electrical Components

Plugs & Sockets .....	93-96
Automotive / Starter Cable.....	97-98
Cable Accessories / Cable Ties .....	99-100
Wiring Accessories .....	101-102
Fuses .....	103-104
Fuse Holders .....	105
Booster Cable .....	106
Battery Connectors .....	107-108
Electrical Switches (New) .....	109-118
Warning Lights .....	118

“

Our consideration for branding is what sets us apart from our competitors. We have developed packaging which ensures 247lighting products market themselves.

”

### **trade packaging**

This packaging is suitable for resale into trade customers that can accept larger pack quantities.

### **blister packaging**

Our blister packaging is for the larger electrical items within our range. They are all barcoded and ready for retail display. This packaging is often prefixed by the letters BL. These products are suitable for any of our retail stands.

### **handy packs**

The Handy Packs are for the smaller electrical items within our range. They are all barcoded and ready for retail display. These Products are suitable for our Handy Packs Stand.

### **display boxes**

Many items have their own individual counter display boxes. This maximises the counter display for the retailer, allowing the product to be easily accessible to the customer.



## merchandisers

Mechandisers to fit all our customer needs, from small & compact to larger wall displays.

In addition to optimising your shop floor space, these stands display the products effectively, highlighting their benefits and features.

All merchandisers fit together creating an impressive display for any shop unit.

The following pages illustrate the various merchandisers now available including our two working display models.

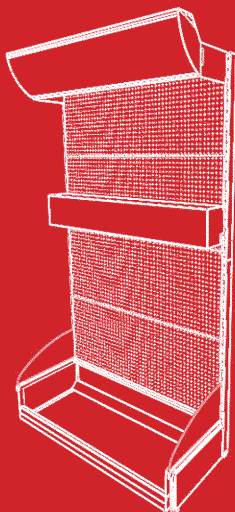
# 247 MERCHANDISER SPECIFICATIONS

## CA 9972

### Lighting Stand

W128cm x H233cm x D55cm

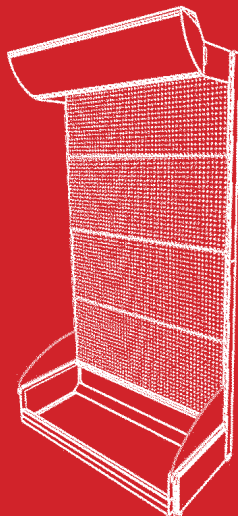
(Includes working Display Unit)



## CA 9920

### Electrical Stand

W128cm x H233cm x D55cm

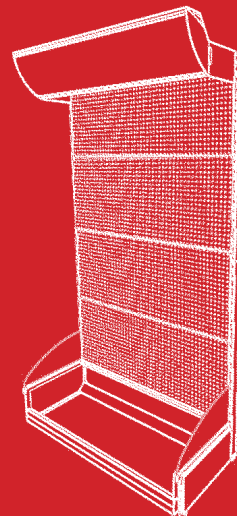


## CA 9940

### Combi Stand

W128cm x H233cm x D55cm

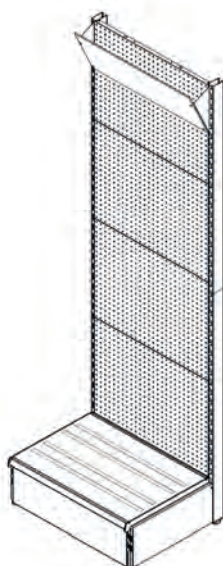
(Includes working Display Unit)



## CA 9916 (Mini Display)

### 247 Electrical Merchandiser

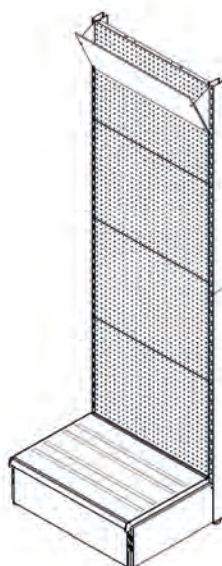
W70cm x H224cm x D55cm



## CA 9914 (Mini Display)

### 247 LED Merchandiser

W70cm x H224cm x D55cm



- Allows for optimisation of space.
- Presents products in an appealing and attractive display.
- Utilizes working display unit for visual demonstration, highlighting their features and benefits.
- Educates the customer about products in an effective and creative way.
- Related products are easily located, making it easier for customers to self-select.



1280mm Stand

247 LIGHTING STAND  
CA 9972

WORKING  
DISPLAY UNIT



2330mm

1280mm



1280mm Stand

247 COMBI STAND  
CA 9940

Lighting and Electrical Combination



# 247 Merchandisers

700mm Stand

247 LED  
MERCHANDISER  
CA 9914

247 ELECTRICAL  
MERCHANDISER  
CA 9916

(Sold Separately)



700mm



2340mm

700mm

Display Stands

247 MIRROR DISPLAY STAND

CA 9906

REG 65 BEACON DISPLAY

AP 9903

CAMERA DISPLAY STAND

AP 9851

EXPLORER WORKLAMPS

AP 9902



CA 9906

counter display units



AP 9903



AP 9851



AP 9902

# 247 Handy Packs



*Maintenance in the Palm of your Hand...*



👍 ELECTRICAL  
CONNECTORS



👍 FASTENERS

👍 GREASING



👍 TUBE FITTINGS

👍 HOSE  
CONNECTORS

Part No: AP 1000

*A Little Bit of What You Need  
When You Need It ...*

\*\* FULL RANGE OF PRODUCT AVAILABLE ON REQUEST



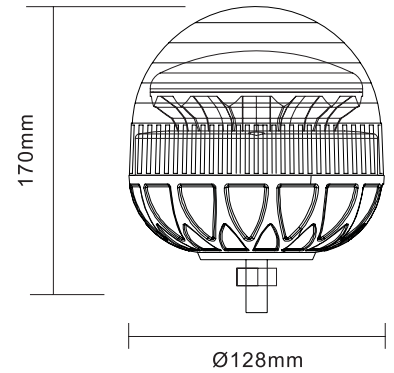
Beacons  
Lightbars  
Warning Lights

# REG 65 LED Beacons

## COMPACT

### LED SINGLE BOLT BEACON

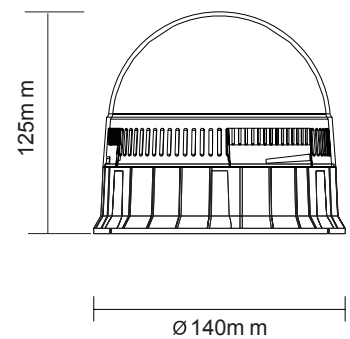
CA 7062



## COMPACT

### LED THREE BOLT BEACON

CA 7065



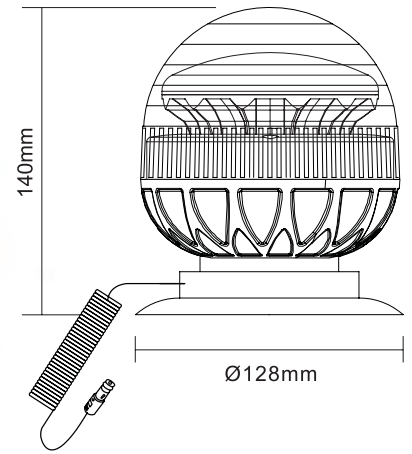
Product Code	Voltage	ECE Reg	EMC	IP	LED	Flash Patterns	Lens Material	Base Material	Watt	Operation Temperature
CA 7062	12-24v	10 / 65	✓	IP56	12	3	Polycarbonate	ABS	36W	-20°C - +50°C
CA 7065	12-24v	10 / 65	✓	IP56	12	3	Polycarbonate	ABS	36W	-20°C - +50°C



## COMPACT

### LED MAGNETIC BEACON

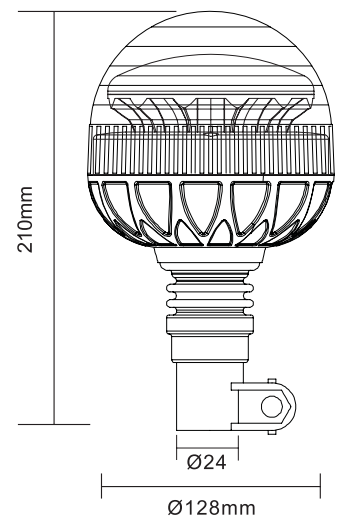
CA 7063



## COMPACT

### LED POLE MOUNT BEACON

CA 7064



Product Code	Voltage	ECE Reg	EMC	IP	LED	Flash Patterns	Lens Material	Base Material	Watt	Operation Temperature
CA 7063	12-24v	10 / 65	✓	IP56	12	3	Polycarbonate	ABS	36W	-20°C - +50°C
CA 7064	12-24v	10 / 65	✓	IP56	12	3	Polycarbonate	ABS	36W	-20°C - +50°C

\*\*Magnetic Beacon: Rated To 110-120 KPH / May detach at speeds above those indicated

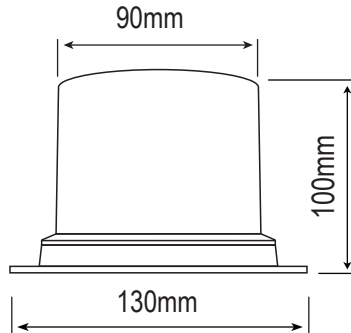
# REG 65 LED Beacons

## COMPACT

### LED THREE BOLT BEACON

SEALED LENS

CA 7045

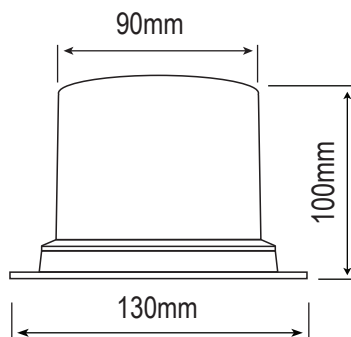


## COMPACT

### LED MAGNETIC BEACON\*\*

SEALED LENS

CA 7043



Product Code	Voltage	ECE Reg	EMC	IP	LED	Flash Patterns	Lens Material	Base Material	Watt	Operation Temperature
CA 7045	10-30v	10 / 65	✓	IP67	Amber	8	Polycarbonate	Aluminium	18W	-40°C - +50°C
CA 7043	10-30v	10 / 65	✓	IP67	Amber	8	Polycarbonate	Aluminium	18W	-40°C - +50°C

\*\*Magnetic Beacon: Rated To 110-120 KPH / May detach at speeds above those indicated

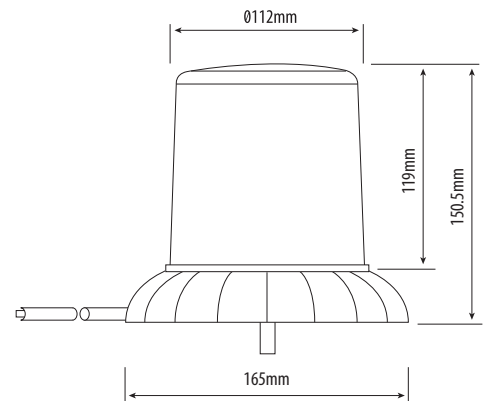
## REG 65

### SINGLE BOLT BEACON

CA 7052



SEALED LENS



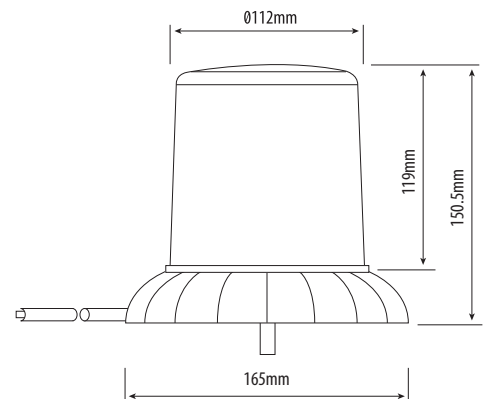
## REG 65

### THREE BOLT BEACON

CA 7051



SEALED LENS



Product Code	Voltage	ECE Reg	EMC	IP	LED	Flash Patterns	Lens Material	Base Material	Watt	Operating Temperature
CA 7052	10 / 30v	10 / 65	-	IP67	32 Amber	5	Polycarbonate	ABS	Average: 16w Peak: 28w	-40°C - +65°C
CA 7051	10 / 30v	10 / 65	-	IP67	32 Amber	5	Polycarbonate	ABS	Average: 16w Peak: 28w	-40°C - +65°C

# REG 65 SMD Beacons

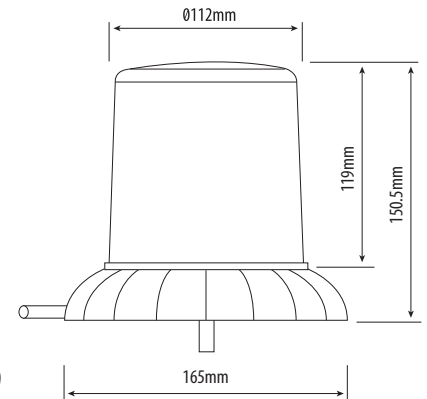
## REG 65

### MAGNETIC BEACON

CA 7053



SEALED LENS



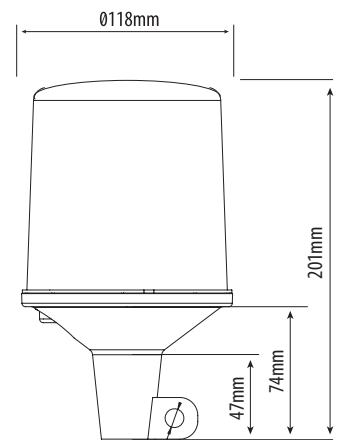
## REG 65

### POLE BEACON

CA 7054



SEALED LENS



Product Code	Voltage	ECE Reg	EMC	IP	LED	Flash Patterns	Lens Material	Base Material	Watt	Operating Temperature
CA 7053	10 / 30v	10 / 65	-	IP67	32 Amber	5	Polycarbonate	ABS	Average:16w Peak: 28w	-40°C - +65°C
CA 7054	10 / 30v	10 / 65	-	IP67	32 Amber	1	Polycarbonate	ABS	Average:16w Peak: 28w	-40°C - +65°C

\*\*Magnetic Beacon: Rated To 110-120 KPH / May detach at speeds above those indicated

## MINI

### TWO BOLT BEACONS (LED)

CA 7505LED

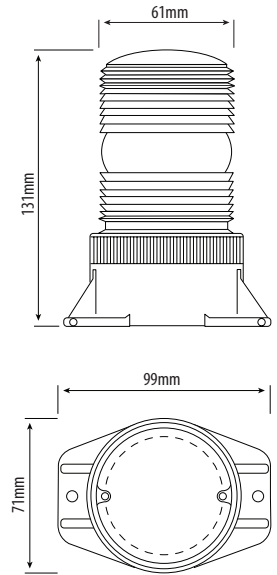


### TWO BOLT BEACONS (XENON)

CA 7505



EPOXY RESIN POTTED



## MINI

### THREE BOLT BEACONS (LED)

CA 7500LED

### THREE BOLT BEACONS (XENON)

CA 7500

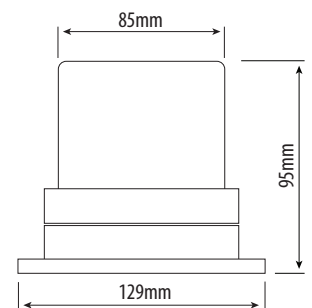


Optional Green Lens

CA 7554GR



EPOXY RESIN POTTED (CA 7500LED ONLY)



Product Code	Voltage	ECE Reg	EMC	IP	LED	Light Source	Flash Patterns	Lens Material	Base Material	Watt	Operation Temperature
CA 7505LED	12-24v	Reg 10	✓	IP56	25	LED	1	Polycarbonate	ABS	5W	-30°C - +50°C
CA 7505	12-110v	Reg 10	✓	IP56	-	Xenon	1	Polycarbonate	ABS	2.4W	-30°C - +50°C
CA 7500LED	12-24v	Reg 10	✓	IP56	30	LED	3	Polycarbonate	ABS	9W	-30°C - +50°C
CA 7500	12-110v	Reg 10	✓	IP56	-	Xenon	1	Polycarbonate	ABS	2.4W	-30°C - +50°C

## MINI

### MAGNETIC BEACONS (LED)

CA 7501LED



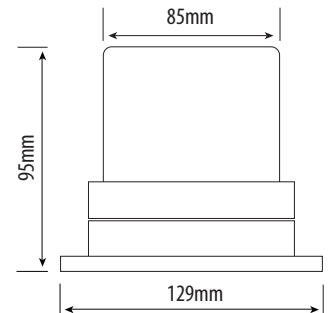
### MAGNETIC BEACONS (XENON)

CA 7501



Optional Green Lens

CA 7554GR



EPOXY RESIN POTTED (CA 7501LED ONLY)

Product Code	Voltage Reg	ECE	EMC	IP	LED	Light Source	Flash Patterns	Lens Material	Base Material	Watt	Operation Temperature
CA 7501LED	12-24v	Reg 10	✓	IP56	25	LED	3	Polycarbonate	ABS	9W	-30°C - +50°C
CA 7501	12-24 v	Reg 10	✓	IP56	-	Xenon	1	Polycarbonate	ABS	2.4W	-30°C - +50°C

\*\*Magnetic Beacon: Rated To 110-120 KPH / May detach at speeds above those indicated



## COMPACT

### LED MAGNETIC BEACON

CA 6053C



Optional Green Lens

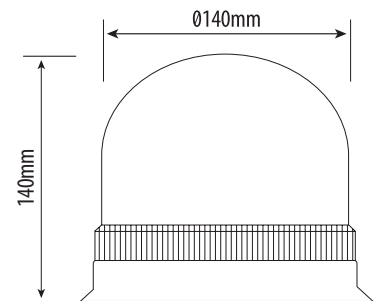
CA 7556GR

Optional Red Lens

CA 7556RD



EPOXY RESIN POTTED



## COMPACT

### LED POLE MOUNT BEACON

CA 6054C



Optional Green Lens

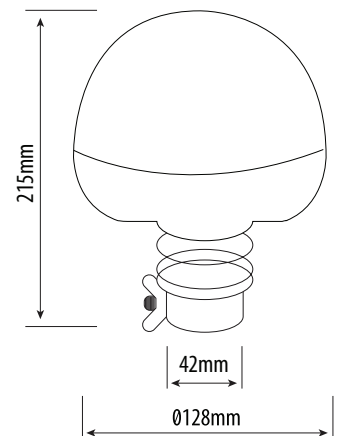
CA 7556GR

Optional Red Lens

CA 7556RD



EPOXY RESIN POTTED



Product Code	Voltage	ECE Reg	EMC	IP	LED	Flash Patterns	Lens Material	Base Material	Watt	Operation Temperature
CA 6053C	12-24v	Reg 10	✓	IP56	40	3	Polycarbonate	ABS	8W	-30°C - +50°C
CA 6054C	12-24v	Reg 10	✓	IP56	40	3	Polycarbonate	ABS	8W	-30°C - +50°C

\*\*Magnetic Beacon: Rated To 110-120 KPH / May detach at speeds above those indicated

# LED Beacons

## COMPACT

### LED SINGLE BOLT BEACON

CA 6052C



Optional Green Lens

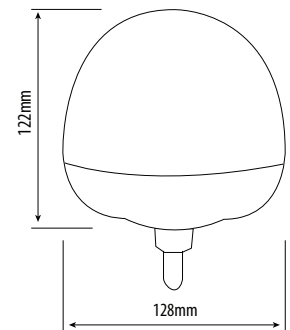
CA 7556GR

Optional Red Lens

CA 7556RD



EPOXY RESIN POTTED



## STANDARD

### LED SINGLE BOLT BEACON

CA 6056C

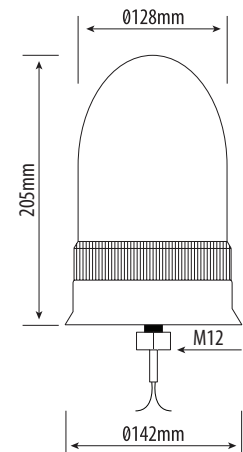


Optional Green Lens

CA 7552GR



EPOXY RESIN POTTED



Product Code	Voltage	ECE Reg	EMC	IP	LED	Flash Patterns	Lens Material	Base Material	Watt	Operation Temperature
CA 6052C	12-24 v	Reg 10	✓	IP56	40	3	Polycarbonate	ABS	8W	-30°C - +50°C
CA 6056C	12 - 24v	Reg 10	✓	IP56	80	3	Polycarbonate	ABS	18W	-30°C - +50°C



## STANDARD

### LED THREE BOLT BEACON

CA 6055C

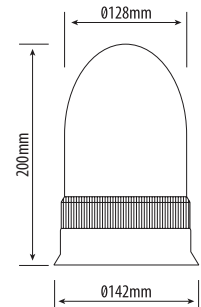


Optional Green Lens

CA 7552GR



EPOXY RESIN POTTED



## STANDARD

### LED MAGNETIC BEACON\*\*

CA 6057C

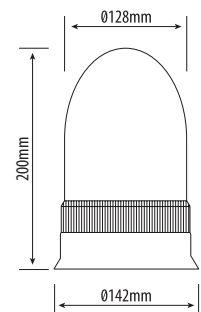


Optional Green Lens

CA 7552GR



EPOXY RESIN POTTED



## STANDARD

### LED POLE MOUNT BEACON

CA 6058C

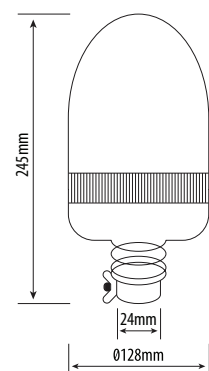


Optional Green Lens

CA 7553GR



EPOXY RESIN POTTED



Product Code	Voltage	ECE Reg	EMC	IP	LED	Flash Patterns	Lens Material	Base Material	Watt	Operating Temperature
CA 6055C	12 - 24v	Reg 10	✓	IP56	80	3	Polycarbonate	ABS	18W	-30°C - +50°C
CA 6057C	12 - 24v	Reg 10	✓	IP56	80	3	Polycarbonate	ABS	18W	-30°C - +50°C
CA 6058C	12 - 24v	Reg 10	✓	IP56	40	3	Polycarbonate	ABS	8W	-30°C - +50°C

\*\*Magnetic Beacon: Rated To 110-120 KPH / May detach at speeds above those indicated

# Rotating Beacons (Halogen)

## STANDARD

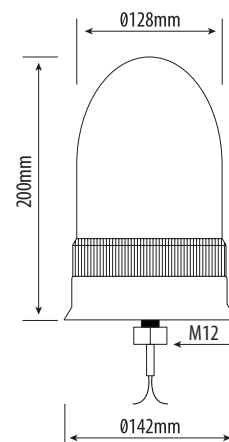
### SINGLE BOLT ROTATING

CA 2040C



Optional Green Lens

CA 7552GR



## STANDARD

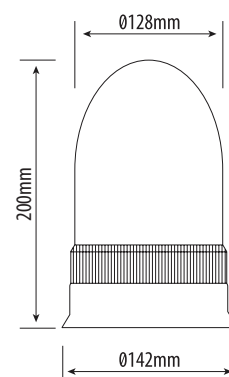
### MAGNETIC ROTATING\*\*

CA 2045C



Optional Green Lens

CA 7552GR



## STANDARD

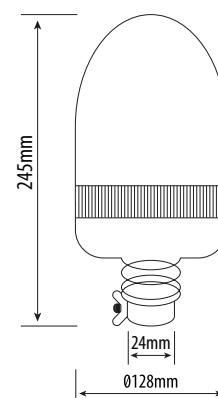
### POLE MOUNT ROTATING

CA 2050C



Optional Green Lens

CA 7553GR

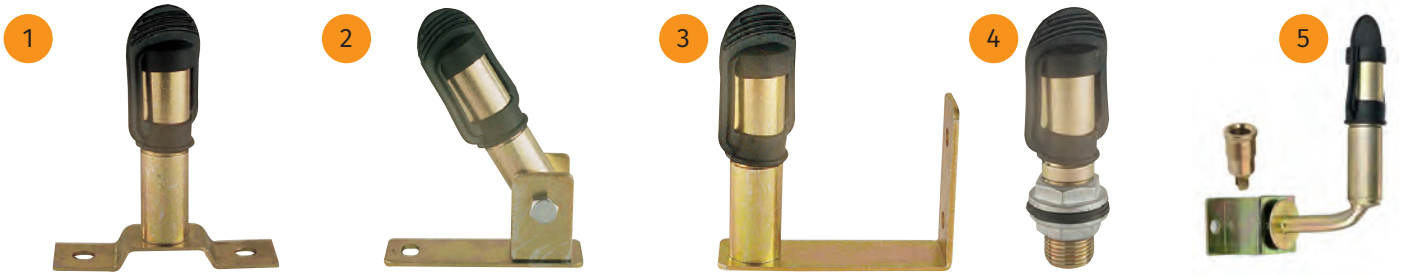


Product Code	Voltage	ECE Reg	EMC	IP	Light Source	Lens Material	Base Material	Motor	Watt	Operating Temperature
CA 2040C	12 - 24v	10 / 65	✓	IP56	H1 Halogen	Polycarbonate	ABS	Belt Driven	55/70W	-30°C - +50°C
CA 2045C	12 - 24v	10 / 65	✓	IP56	H1 Halogen	Polycarbonate	ABS	Belt Driven	55/70W	-30°C - +50°C
CA 2050C	12 - 24v	10 / 65	✓	IP56	H1 Halogen	Polycarbonate	ABS	Gear Driven	55/70W	-30°C - +50°C

\*\*Magnetic Beacon: Rated To 110-120 KPH / May detach at speeds above those indicated

## ADAPTORS

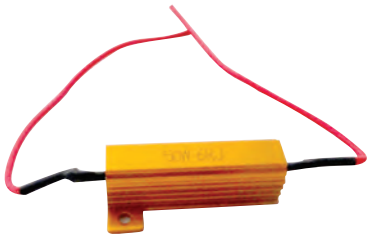
### BEACON POLE MOUNT ADAPTORS



Product Code	Fixing	Profile	Type
1 CA 6600A	2 Bolt	'T' Type	Fixed
2 CA 6601A	1 Bolt	'L' Type	Collapsible

Product Code	Fixing	Profile	Type
3 CA 6602A	2 Bolt	'L' Type	Fixed
4 CA 6603A	Screw-In	'L' Type	Fixed w/Thread
5 CA 6604A	Spring Loaded	'L' Type	Fixed w/Thread

## RESISTORS



Low Power Consumption Resistor

Product Code	Voltage	Watt	Size
CA 6061	12V	50W	20*50mm
CA 6062	24V	50W	20*50mm

Product Code	Voltage	Watt	Size	Base Material	Operational Temperature
CA 7055	12V	15.96W	87*45*30mm	Alum. Alloy	68°C
CA 7056	24V	16.08W	87*45*30mm	Alum. Alloy	68°C

## EXTRAS



Code	Description
1 CA 317	Cigarette Plug c/w Switch - Multiple Flash Patterns
2 BLCA 319*	Cigarette Plug / no switch - Single Flash Patterns

Code	Description
3 CA 770	Illuminated Cigarette Plug & Socket (Fits: 28mm)
4 CA 313	Cigar Plug c/w 2.5mtr Cable & Switch - Multiple Flash

\*This item is Blister Packed & barcoded ready for resale. To purchase this item in bulk without packaging please use the same part no. without the "BL" prefix.

# LED Lightbars

## STANDARD

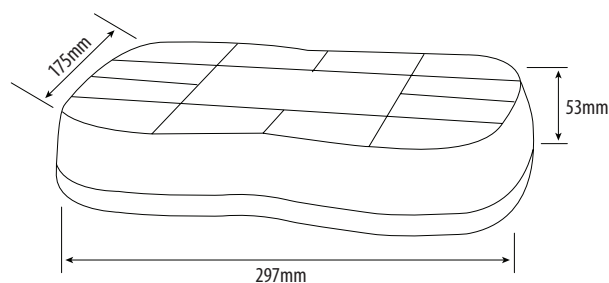
LED MINI MASTER (BOLT - ON)

CA 7626C



LED MINI MASTER (MAGNETIC)

CA 7627C



\*\* SEE EXTRAS / REPLACEMENTS AVAILABLE FOR THESE PRODUCTS on page 25

Product Code	Voltage	ECE Reg	EMC	IP	LED	Flash Patterns	Lens Material	Base Material	Base Fixing	Watt	Operation Temperature
CA 7626C	12 - 24v	Reg 10	✓	IP65	20	10	Polycarbonate	ABS	Bolt-On	20W Peak	-30°C - +50°C
CA 7627C	12 - 24v	Reg 10	✓	IP65	20	10	Polycarbonate	ABS	Magnetic	20W Peak	-30°C - +50°C

\*\*Magnetic Beacon: Rated To 110-120 KPH / May detach at speeds above those indicated

## REG 65

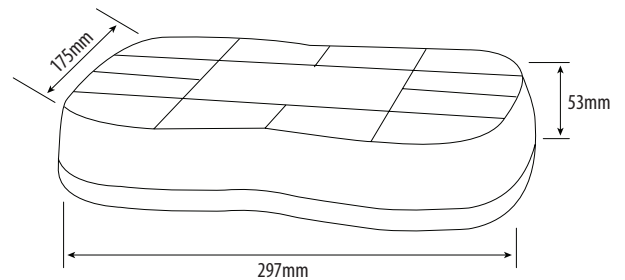
LED MINI MASTER (BOLT - ON)

CA 7634



LED MINI MASTER (MAGNETIC)

CA 7635



\*\* SEE EXTRAS / REPLACEMENTS AVAILABLE FOR THESE PRODUCTS on page 25

Product Code	Voltage	ECE Reg	EMC	IP	LED	Flash Patterns	Lens Material	Base Material	Base Fixing	Watt	Operation Temperature
CA 7634	12-24v	10/65 (Single Flash)	✓	IP65	20	10	Polycarbonate	ABS	Bolt-On	60W Peak	-30°C - +50°C
CA 7635	12-24v	10/65 (Single Flash)	✓	IP65	20	10	Polycarbonate	ABS	Magnetic	60W Peak	-30°C - +50°C

\*\*Magnetic Beacon: Rated To 110-120 KPH / May detach at speeds above those indicated

# REG 65 LED Lightbars

## REG 65

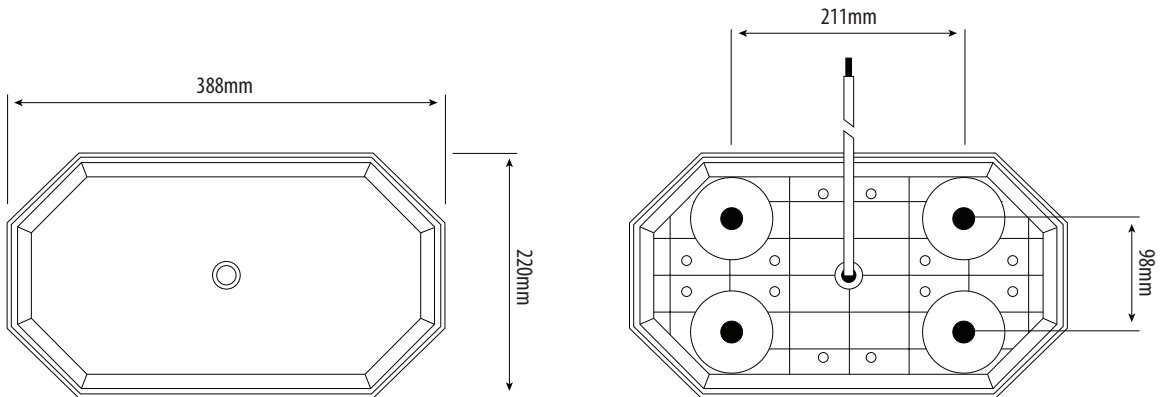
### 16" LED ECLIPSE

CA 7632B

Bolt Fixing Only  
Magnetic Kit Available



(This picture indicates the Lightbar is switched on.)



Product Code	Voltage	ECE Reg	EMC	IP	LED	Flash Patterns	Lens Material	Base Material	Base Fixing	Watt	Operation Temperature
CA 7632B	12 - 24v	10/65	✓	IP67	56	10	Polycarbonate	ABS	Bolt - On	Average: 13w Peak: 50w	-20°C - +50°C

CA 7632MAG 4 Pod Magnetic Kit for CA 7632B / 95MPH

CA 313 Replacement cigarette lighter plug comes with 2.5 metre cable

## REG 65

### 27" LED ECLIPSE

CA 7630

STANDING LEGS

CA 7629



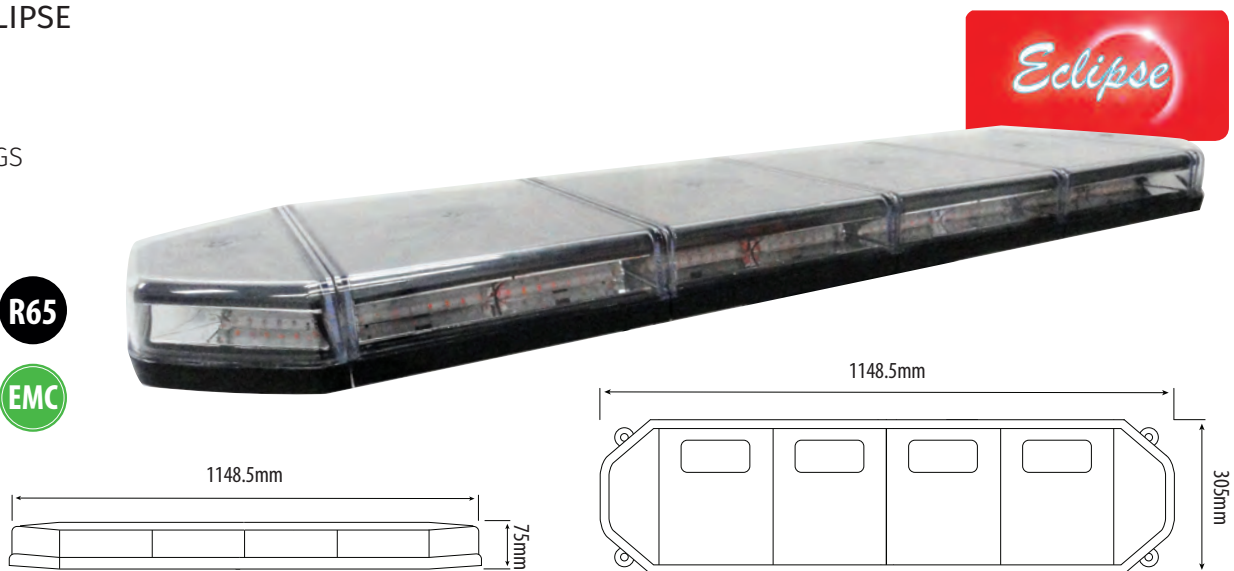
## REG 65

### 46" LED ECLIPSE

CA 7628

STANDING LEGS

CA 7629



Product Code	Voltage	ECE Reg	EMC	IP	LED	Flash Patterns	Lens Material	Base Material	Base Fixing	Watt	Operation Temperature
CA 7630	12 - 24v	10/65	✓	IP67	100	10	Polycarbonate	ABS	Bolt	79w	-20°C - +50°C
					Amber		Clear		Bracket		
CA 7628	12 - 24v	10/65	✓	IP67	164	10	Polycarbonate	ABS	Bolt	127w	-20°C - +50°C
					Amber		Clear		Bracket		
CA 7629	Extra standing legs / set of two										
CA 313	Replacement cigarette lighter plug comes with 2.5 metre cable										

# LED Lightbars

REG 65

LED LIGHT BAR AMBER 30"

CA 7646

LED LIGHT BAR AMBER 40"

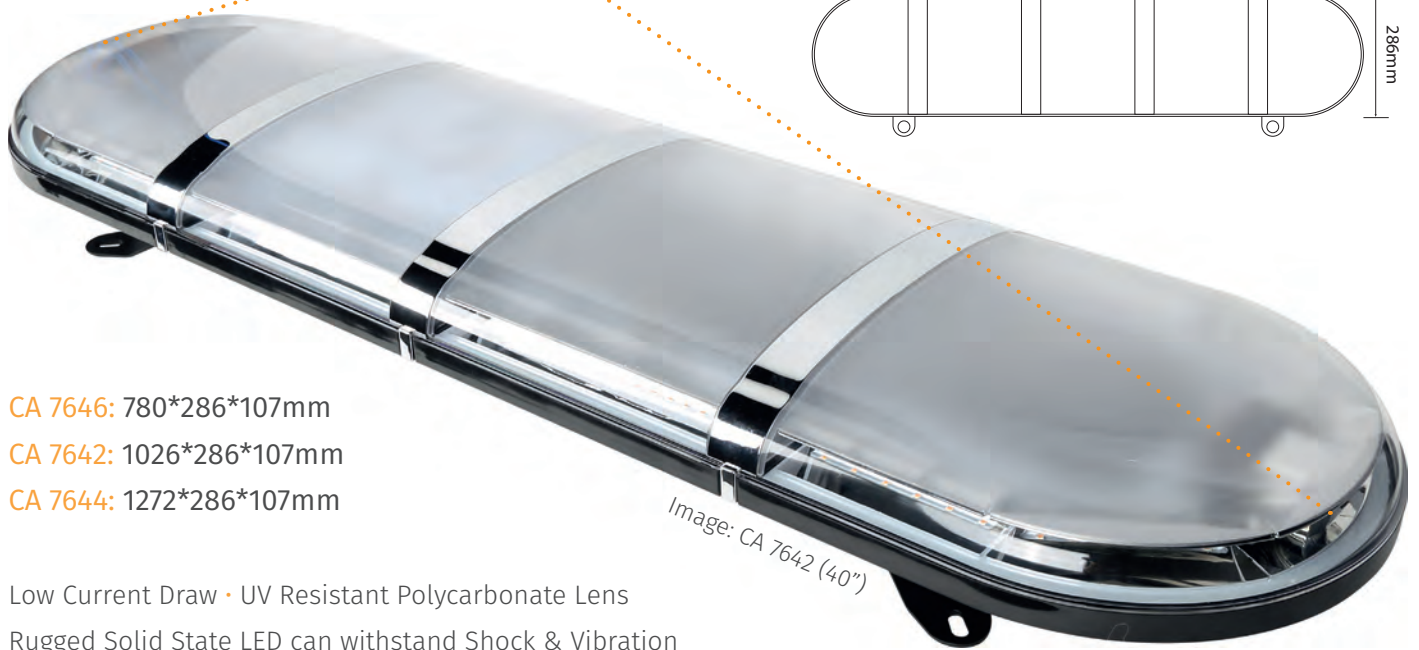
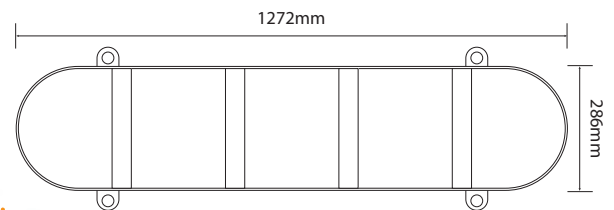
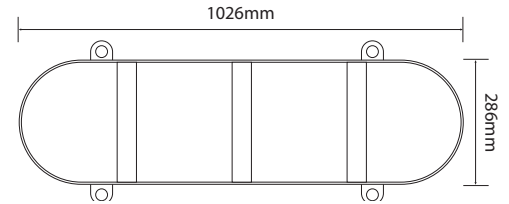
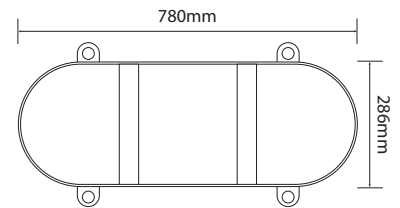
CA 7642

LED LIGHT BAR AMBER 50"

CA 7644



ALLEY LIGHTS  
FITTED AT  
EACH END



CA 7646: 780\*286\*107mm

CA 7642: 1026\*286\*107mm

CA 7644: 1272\*286\*107mm

Image: CA 7642 (40")

Low Current Draw • UV Resistant Polycarbonate Lens  
Rugged Solid State LED can withstand Shock & Vibration

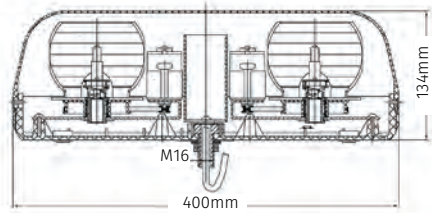
Product Code	Voltage	ECE Reg	EMC	IP	LED	Flash Patterns	Lens Material	Housing Material	Base Fixing	Watt	Operation Temperature
CA 7646	12 - 24v	10	-	IP56	94	9	UV Resistant Polycarbonate	Die Cast Aluminium	Bolt Mount	61	-20°C - +80°C
CA 7642	12 - 24v	10	-	IP56	126	9	UV Resistant Polycarbonate	Die Cast Aluminium	Bolt Mount	76	-20°C - +80°C
CA 7644	12 - 24v	10	-	IP56	158	9	UV Resistant Polycarbonate	Die Cast Aluminium	Bolt Mount	91	-20°C - +80°C



## REG 65

### 16" COMPACT ROTATING LIGHTBAR

CA 6005



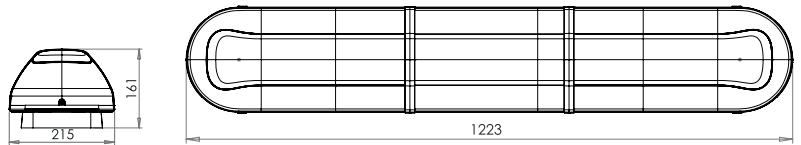
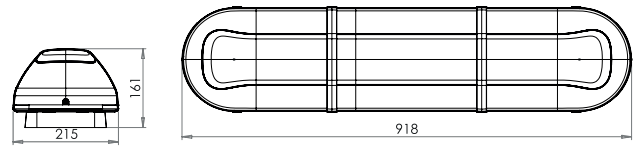
## REG 65

### 36" ROTATING LIGHTBAR

CA 6008

### 48" ROTATING LIGHTBAR

CA 6012



CA 6008: 918\*211\*125mm

CA 6012: 1220\*211\*125mm

2 Rotating Heads · Illuminated Centre

2.5 Metre Multicore Cable

Reverse Polarity Protection



Product Code	Voltage	ECE Reg	EMC	IP	Bulb	Flash Rate p/m	Lens Material	Base Material	Base Fixing	Operation Temperature
CA 6005	12 - 24v	65	-	IP56	White	180	Amber Polycarbonate	-	Bolt - On	-30°C - +50°C
CA 6008	12 - 24v	10/65	✓	-	White	180	Amber Polycarbonate	Alum	Bolt - On	-30°C - +50°C
CA 6012	12 - 24v	10/65	✓	-	White	180	Amber Polycarbonate	Alum	Bolt - On	-30°C - +50°C

# Warning Lights

## REG 65

LED DIRECTIONAL LIGHT (AMBER / REG 65)

CA 6082A

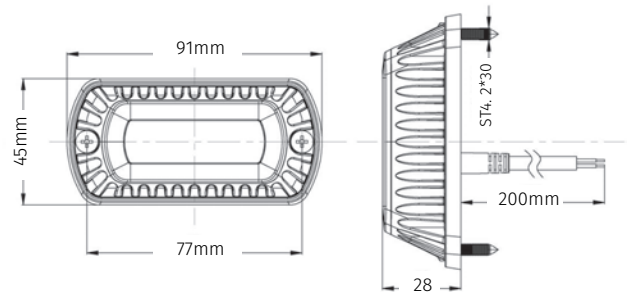


LED DIRECTIONAL LIGHT (RED / REG 10)

CA 6082R

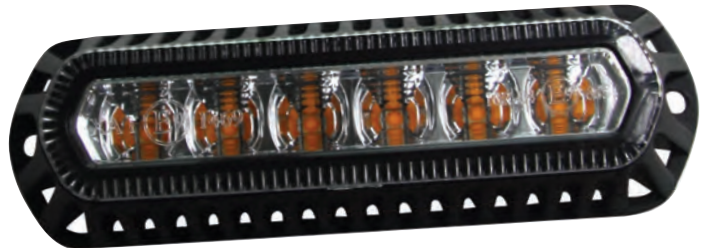
LED DIRECTIONAL LIGHT (WHITE / REG 10)

CA 6082W



LED DIRECTIONAL LIGHT (AMBER / REG 65)

CA 6084

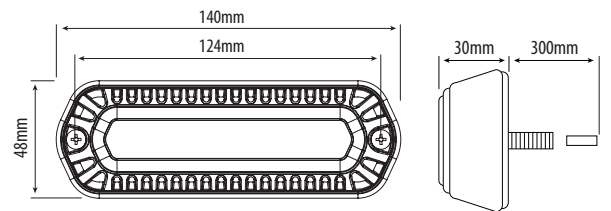


LED DIRECTIONAL LIGHT (RED / REG 10)

CA 6084R

LED DIRECTIONAL LIGHT (WHITE / REG 10)

CA 6084W

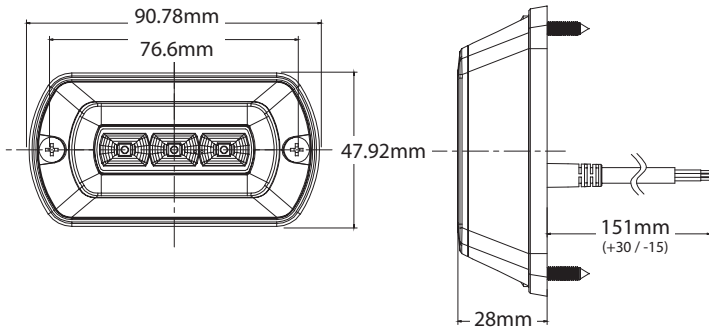


Product Code	Voltage	ECE Reg	EMC	IP	LED	Flash Patterns	Lens Material	Base Material	Base Fixing	Watt	Operation Temperature
CA 6082A	10 - 30v	10 / 65	✓	IP67	3 Amber	9	Polycarbonate	Polycarbonate	Surface Mount	9W	-45°C - +65°C
CA 6082R	10 - 30v	10	✓	IP67	3 Red	9	Polycarbonate	Polycarbonate	Surface Mount	9W	-45°C - +65°C
CA 6082W	10 - 30v	10	✓	IP67	3 White	9	Polycarbonate	Polycarbonate	Surface Mount	9W	-45°C - +65°C
CA 6084	10-30v	10 / 65	✓	IP67	6 Amber	10	Polycarbonate	Die Cast Alum	Bolt-On	18w	-40°C - +65°C
CA 6084R	10-30v	10	✓	IP67	6 Red	10	Polycarbonate	Die Cast Alum	Bolt-On	18w	-40°C - +65°C
CA 6084W	10-30v	10	✓	IP67	6 White	10	Polycarbonate	Die Cast Alum	Bolt-On	18w	-40°C - +65°C

## REG 65

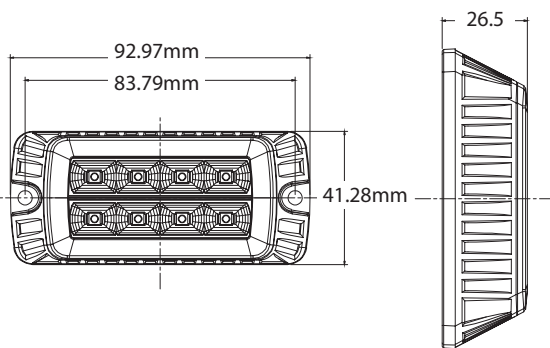
### 3 LED WARNING LIGHT (AMBER / REG 65)

CA 6082



### 8 LED WARNING LIGHT

CA 7083A



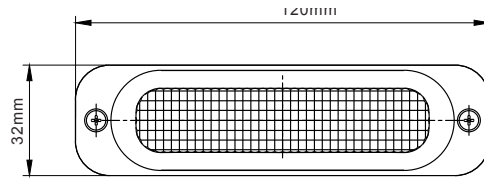
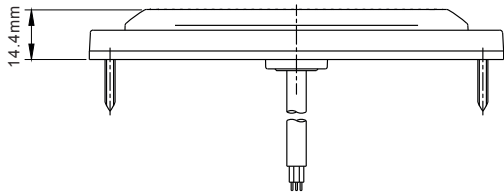
Product Code	Voltage	ECE Reg	EMC	IP	LED	Flash Patterns	Lens Material	Base Material	Base Fixing	Watt	Operation Temperature
CA 6082	10 - 30v	10 / 65	✓	IP6K9K	3 Amber	9	Polycarbonate	Polycarbonate	Surface Mount	9W	-45°C - +65°C
CA 7083A	10 - 30v	10 / 65	✓	IP67	8 Amber	9	Polycarbonate	Polycarbonate	Surface Mount	24W	-35°C - +65°C

# Warning Lights

REG 65

LED WARNING LIGHT

CA 7084



Product Code	Voltage	ECE Reg	EMC	IP	LED	Flash Patterns	Lens Material	Base Material	Base Fixing	Watt	Operation Temperature
CA 7084	10 - 30v	10 / 65	✓	IP67	6 Amber	10	Polycarbonate	Aluminium	Surface Mount	18W	-40°C - +60°C

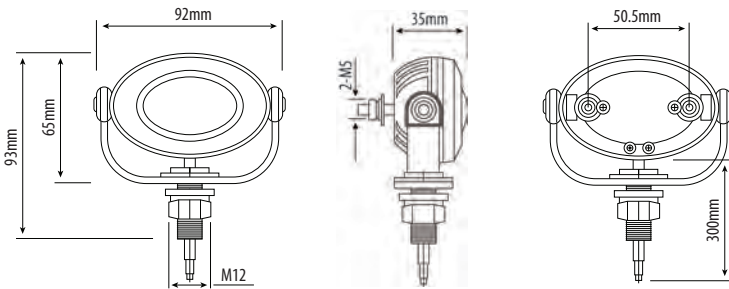


## REG 65

### OVAL DIRECTIONAL LAMP (AMBER / REG 65)

CA 5711

Bracket Fixing



## SMD LED

### LED DIRECTIONAL LIGHT (AMBER)

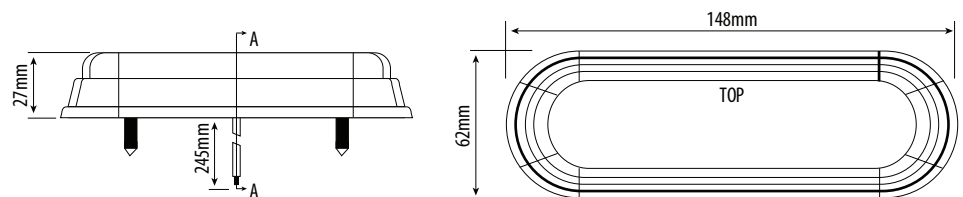
CA 6079

### LED DIRECTIONAL LIGHT (RED)

CA 6079R

### LED DIRECTIONAL LIGHT (WHITE )

CA 6079W



Product Code	Voltage	ECE Reg	EMC	IP	LED	Flash Patterns	Lens Material	Base Material	Base Fixing	Watt	Operation Temperature
CA 5711	12 - 24v	10 / 65	✓	IP67	3	6	Polycarbonate	Die Cast Alum.	Bracket Mount	9w	-40°C - +65°C
CA 6079	12 - 24v	10	✓	IP67	12	18	Polycarbonate	ABS	Bolt-On	6W	-30°C - +65°C
CA 6079R	12 - 24v	10	✓	IP67	12	18	Polycarbonate	ABS	Bolt-On	6W	-30°C - +65°C
CA 6079W	12 - 24v	10	✓	IP67	12	18	Polycarbonate	ABS	Bolt-On	6W	-30°C - +65°C

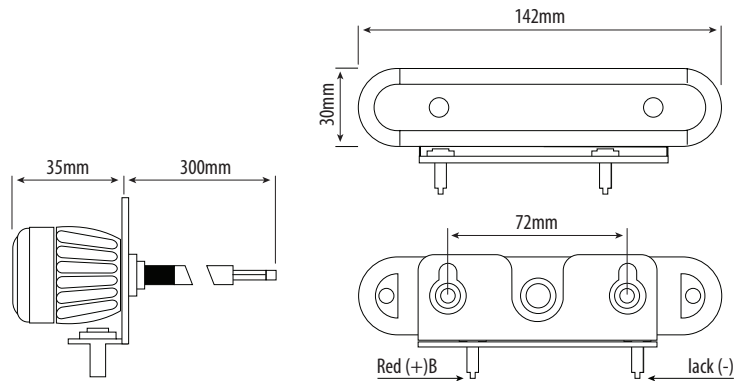
# Warning Lights

## REG 65

### LED DIRECTIONAL LAMP (AMBER / REG 65)

CA 6083

Bracket Fixing



## SMD LED

### SMD DAYTIME RUNNING LAMP

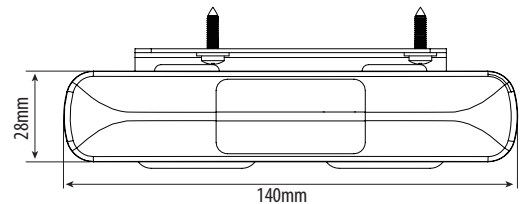
CA 5713

Single Blister Pack

### SMD DAYTIME RUNNING LAMP

CA 5713-2

Twin Blister Pack



Product Code	Voltage	ECE Reg	EMC	IP	LED	Flash Patterns	Lens Material	Base Material	Base Fixing	Watt	Operation Temperature
CA 6083	12 - 24v	10 / 65	✓	IP67	6 Amber	10	Polycarbonate	Die Cast Alum	Bracket	18	-40°C - +65°C
CA 5713	10 -30v	87	-	IP67	8 White	-	Polycarbonate	Polycarbonate	Bracket Mount	4	-40°C - +65°C



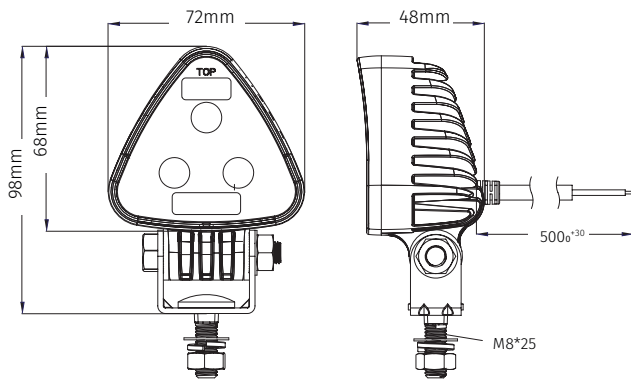
Work Lamps

# LED Work Lamps

LED

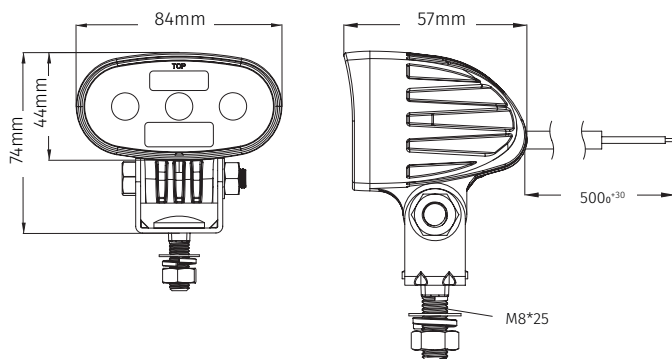
## MINI TRI WORKLAMP

CA 5730



## OVAL MINI WORKLAMP

CA 5732



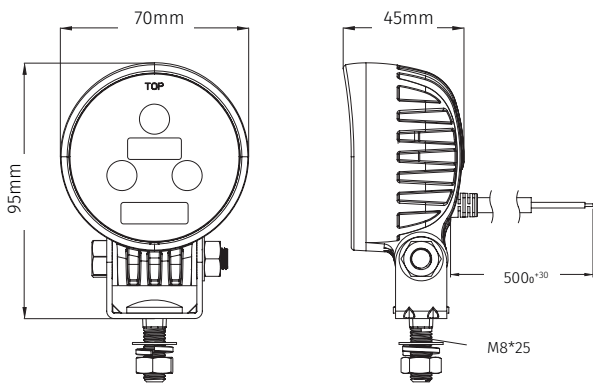
Product Code	Voltage	ECE Reg	EMC	IP	Lumens	LED	Lens Material	Lamp Housing	Fixing	Watt	Operation Temperature
CA 5730	10-30v	Reg 10	✓	IP67	750	3	Polycarbonate	Aluminium	Bracket Mount	9W	-40°C - +60°C
CA 5732	10-30v	Reg 10	✓	IP67	750	3	Polycarbonate	Aluminium	Bracket Mount	9W	-40°C - +60°C



## LED

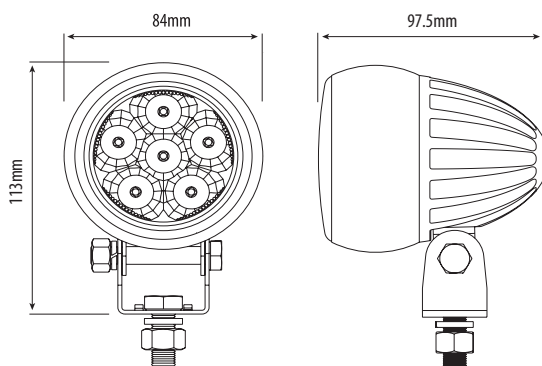
### ROUND MINI WORKLAMP

CA 5734



### 3" ROUND WORKLAMP

CA 5703



Product Code	Voltage	ECE Reg	EMC	IP	Lumens	LED	Lens Material	Lamp Housing	Fixing	Watt	Operation Temperature
CA 5734	10 - 30v	10	✓	IP67	750	3	Polycarbonate	Aluminium	Bracket Mount	9W	-40°C - +60°C
CA 5703	12 - 24v	10	✓	IP67	1350	6	Acrylic	Aluminium	S/Steel Bracket Mount	18W	-40°C - +50°C

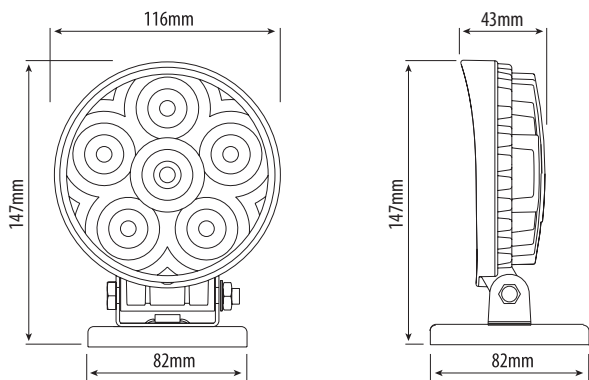
# LED Work Lamps

## LED

### 4" MAGNETIC WORKLAMP

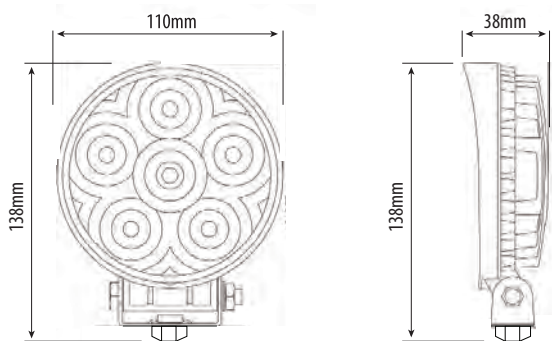
CA 5707

9 Metre Cable



### 4" ROUND WORKLAMP

CA 5706



Product Code	Voltage	ECE Reg	EMC	IP	Lumens	LED	Lens Material	Lamp Housing	Fixing	Watt	Operation Temperature
CA 5707	12 - 28v	Reg 10	✓	IP67	1350	6	Acrylic	Aluminium	S/Steel Bracket Mount	18W	-40°C - +50°C
CA 5706	12 - 28v	Reg 10	✓	IP67	1350	6	Acrylic	Aluminium	S/Steel Bracket Mount	18W	-40°C - +50°C

## LED

### 4" HIGH POWER WORKLAMP

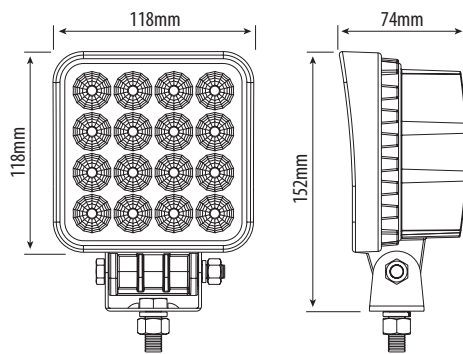
CA 5714

3200 Lumens / 12 - 28v

### 4" HIGH POWER WORKLAMP

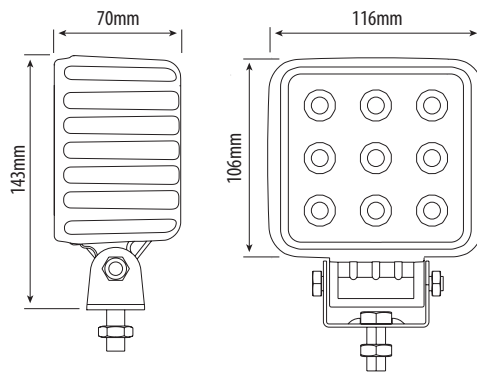
CA 5710

3080 Lumens / 12 - 48v



### 4" WORKLAMP

CA 5709



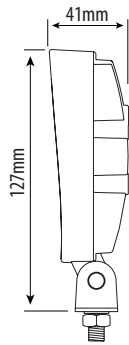
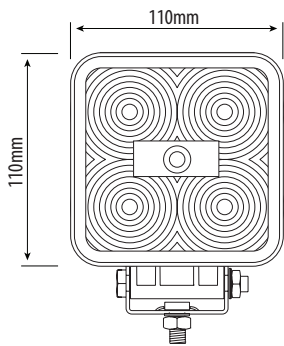
Product Code	Voltage	ECE Reg	EMC	IP	Lumens	LED	Lens Material	Lamp Housing	Fixing	Watt	Operation Temperature
CA 5714	12 - 28v	Reg 10	✓	IP67	3200	16	Acrylic	Aluminium	S/Steel Bracket Mount	48W	-40°C - +40°C
CA 5710	12 - 48v	-	✓	IP67	3080	16	Acrylic	Aluminium	S/Steel Bracket Mount	48W	-40°C - +40°C
CA 5709	12 - 28v	-	✓	IP67	2025	9	Polycarbonate	Aluminium	S/Steel Bracket Mount	27W	-40°C - +50°C

# LED Work Lamps

LED

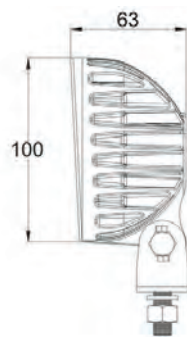
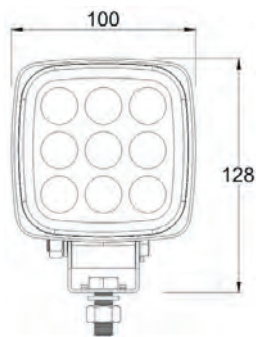
## 4" SQUARE WORKLAMP

CA 5702



## 4" SQUARE WORKLAMP

CA 5770

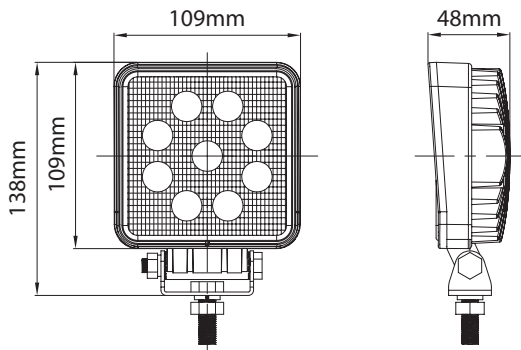


Product Code	Voltage	ECE Reg	EMC	IP	Lumens	LED	Lens Material	Lamp Housing	Fixing	Watt	Operation Temperature
CA 5702	12 - 28v	10	✓	IP67	1050	5	Acrylic	Aluminium	S/Steel Bracket Mount	15W	-40°C - +50°C
CA 5770	12 - 28v	-	✓	IP67	1200	9	Acrylic	Aluminium	S/Steel Bracket Mount	15W	-40°C - +50°C

## LED

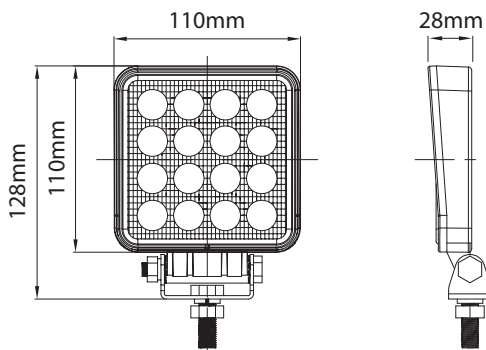
### 4" LED SQUARE WORKLAMP

CA 5740



### 4" LED SQUARE WORKLAMP

CA 5745



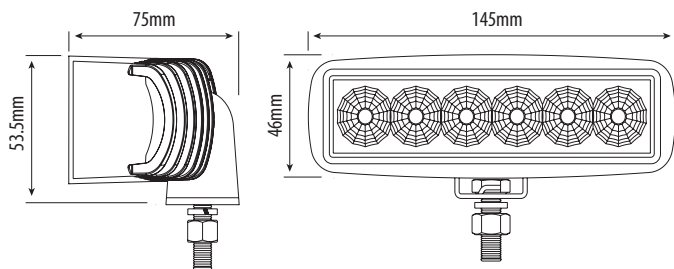
Product Code	Voltage	ECE Reg	EMC	IP	Lumens	LED	Lens Material	Lamp Housing	Fixing	Watt	Operation Temperature
CA 5740	9 - 32v	-	✓	IP67	1950	9	PMMA	Aluminium	S/Steel Bracket Mount	27W	-40°C - +50°C
CA 5745	10 - 30vDC	10	✓	IP6K9K	2017	16 SMD	PC	Graphene	Single Bolt Mount / M8	48W	-40°C - +50°C

# LED Work Lamps

LED

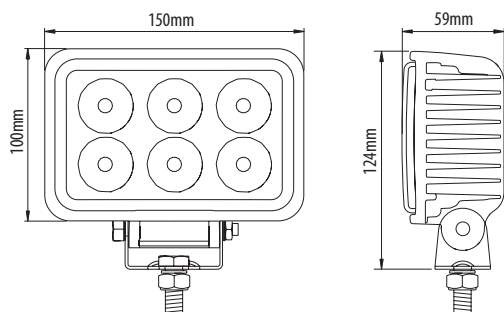
## 5" RECTANGULAR WORKLAMP

CA 5708



## 6" RECTANGULAR WORKLAMP

CA 5705



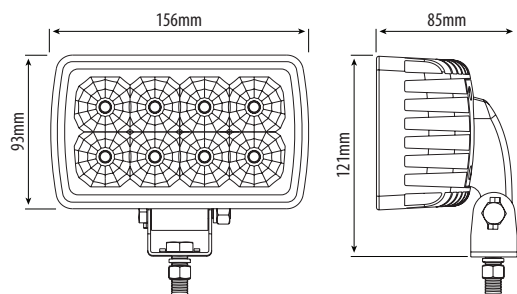
Product Code	Voltage	ECE Reg	EMC	IP	Lumens	LED	Lens Material	Lamp Housing	Fixing	Watt	Operation Temperature
CA 5708	12 - 28v	10	✓	IP67	1350	6	Polycarbonate	Aluminium	S/Steel Bracket Mount	18W	-40°C - +50°C
CA 5705	12 - 28v	10	✓	IP67	1680	8	Polycarbonate	Aluminium	S/Steel Bracket Mount	24W	-40°C - +50°C

## LED

### 6" ADJUSTABLE WORKLAMP

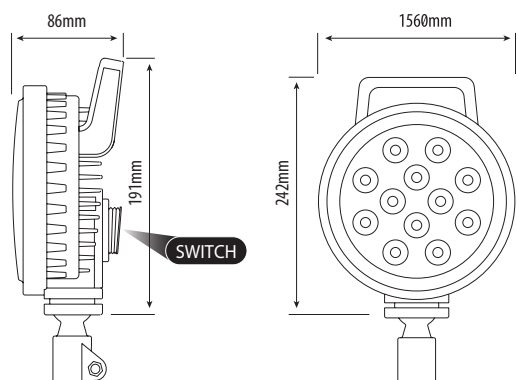
CA 5716

Standard & side Mount Options / Swivel Function



### 6" WORKLAMP WITH SWITCH

CA 5712



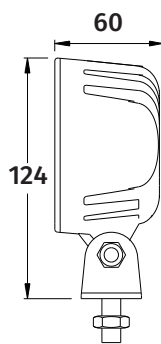
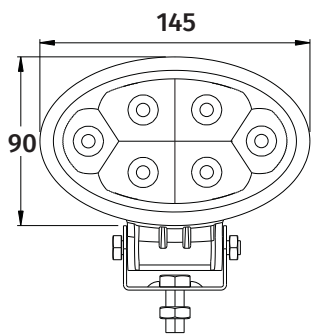
Product Code	Voltage	ECE Reg	EMC	IP	Lumens	LED	Lens Material	Lamp Housing	Fixing	Watt	Operation Temperature
CA 5716	12 - 28v	-	✓	IP67	1350	6	Polycarbonate	Aluminium	S/Steel Bracket Mount	18W	-40°C - +50°C
CA 5712	12 - 28v	-	✓	IP67	1350	12	Polycarbonate	Aluminium	S/Steel Bracket Mount	12W	-40°C - +50°C

# LED Work Lamps

LED

## 6" OVAL WORKLAMP

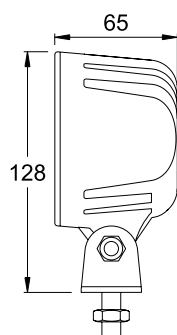
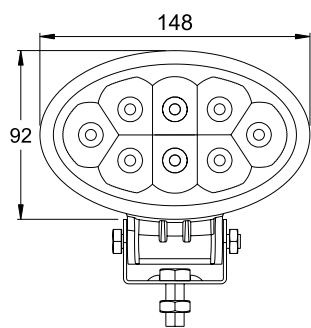
CA 5704



LED

## 6" OVAL WORKLAMP

CA 5722



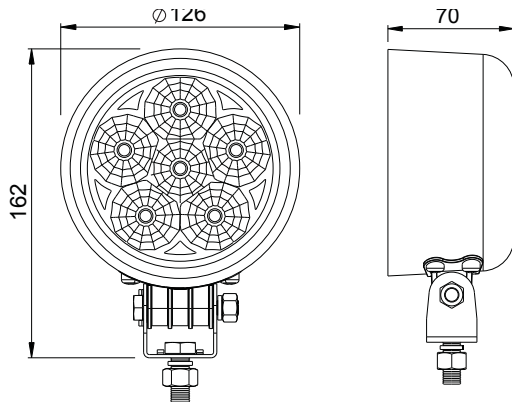
Product Code	Voltage	ECE Reg	EMC	IP	Lumens	LED	Lens Material	Lamp Housing	Fixing	Watt	Operation Temperature
CA 5704	12 - 28v	10	✓	IP67	1350	6	Polycarbonate	Aluminium	S/Steel Bracket Mount	18W	-40°C - +50°C
CA 5722	12 - 28v	-	✓	IP67	1800	8	Polycarbonate	Aluminium	S/Steel Bracket Mount	24W	-40°C - +50°C



## LED

### LED ROUND WORKLAMP (WITH RUBBER HOUSING)

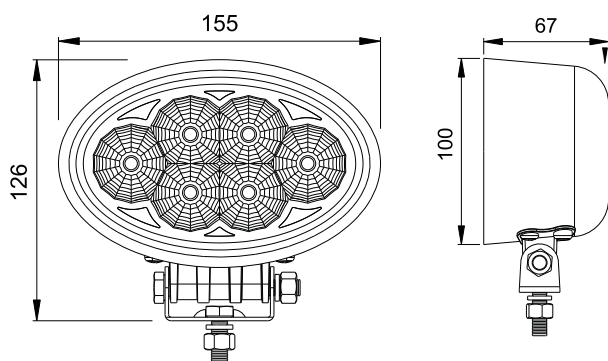
CA 5723



## LED

### LED OVAL WORKLAMP (WITH RUBBER HOUSING)

CA 5726



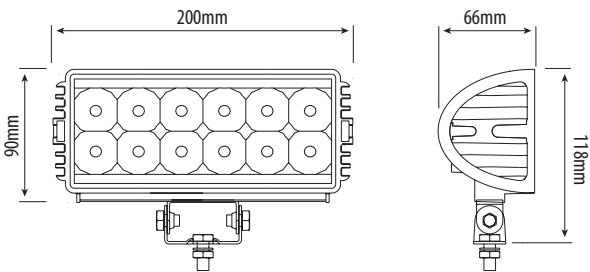
Product Code	Voltage	ECE Reg	EMC	IP	Lumens	LED	Lens Material	Lamp Housing	Fixing	Watt	Operation Temperature
CA 5723	12 - 28v	-	✓	IP67	1350	6	Polycarbonate	Rubber	S/Steel Bracket Mount	18W	-40°C - +50°C
CA 5726	12 - 28v	-	✓	IP67	1350	6	Polycarbonate	Rubber	S/Steel Bracket Mount	18W	-40°C - +50°C

# LED Work Lamp Bars

LED

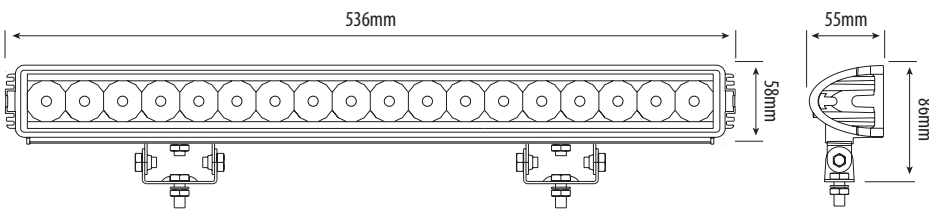
## ADVENTURE WORKLAMP BAR

CA 6114



## ADVENTURE WORKLAMP BAR

CA 6123

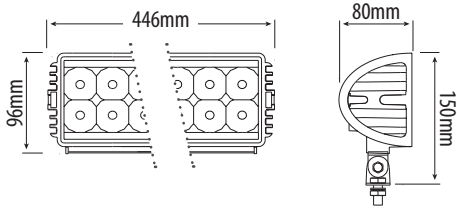


Product Code	Voltage	ECE Reg	EMC	IP	Lumens	LED	Lens Material	Lamp Housing	Fixing	Watt	Operation Temperature
CA 6114	12 - 24v	-	✓	IP67	2700	12	Polycarbonate	Aluminium	S/Steel Bracket Mount	36W	-20°C - +40°C
CA 6123	12 - 24v	-	✓	IP67	4050	18	Polycarbonate	Aluminium	S/Steel Bracket Mount	54W	-20°C - +40°C

## LED

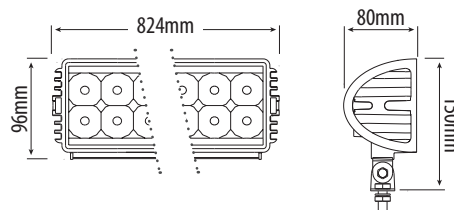
### ADVENTURE WORKLAMP BAR

CA 6115



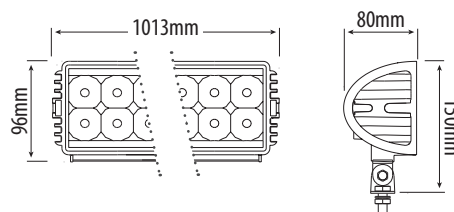
### ADVENTURE WORKLAMP BAR

CA 6117



### ADVENTURE WORKLAMP BAR

CA 6119



Product Code	Voltage	ECE Reg	EMC	IP	Lumens	LED	Lens	Lamp Material	Fixing Housing	Watt	Operation Temperature
CA 6115	12 - 24v	-	✓	IP67	5400	24 White	PC	Aluminium	S/Steel Bracket Mount	72W	-20°C - +40°C
CA 6117	12 - 24v	-	✓	IP67	10800	49 White	PC	Aluminium	S/Steel Bracket Mount	144W	-20°C - +40°C
CA 6119	12 - 24v	-	✓	IP67	13500	60 White	PC	Aluminium	S/Steel Bracket Mount	180W	-20°C - +40°C

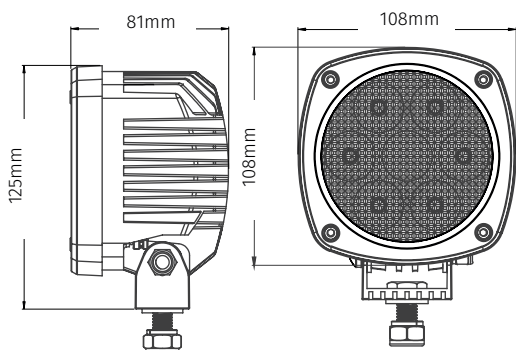
# LED Work Lamps

## CREE LED

### 4" EXPLORER WORKLAMP

CA 6160

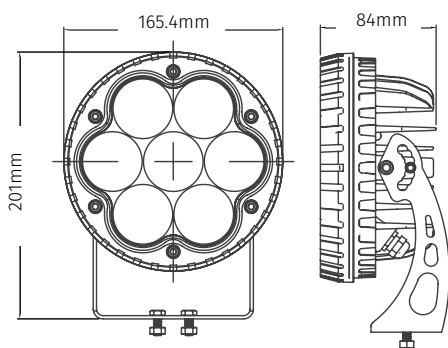
CREE TECHNOLOGY



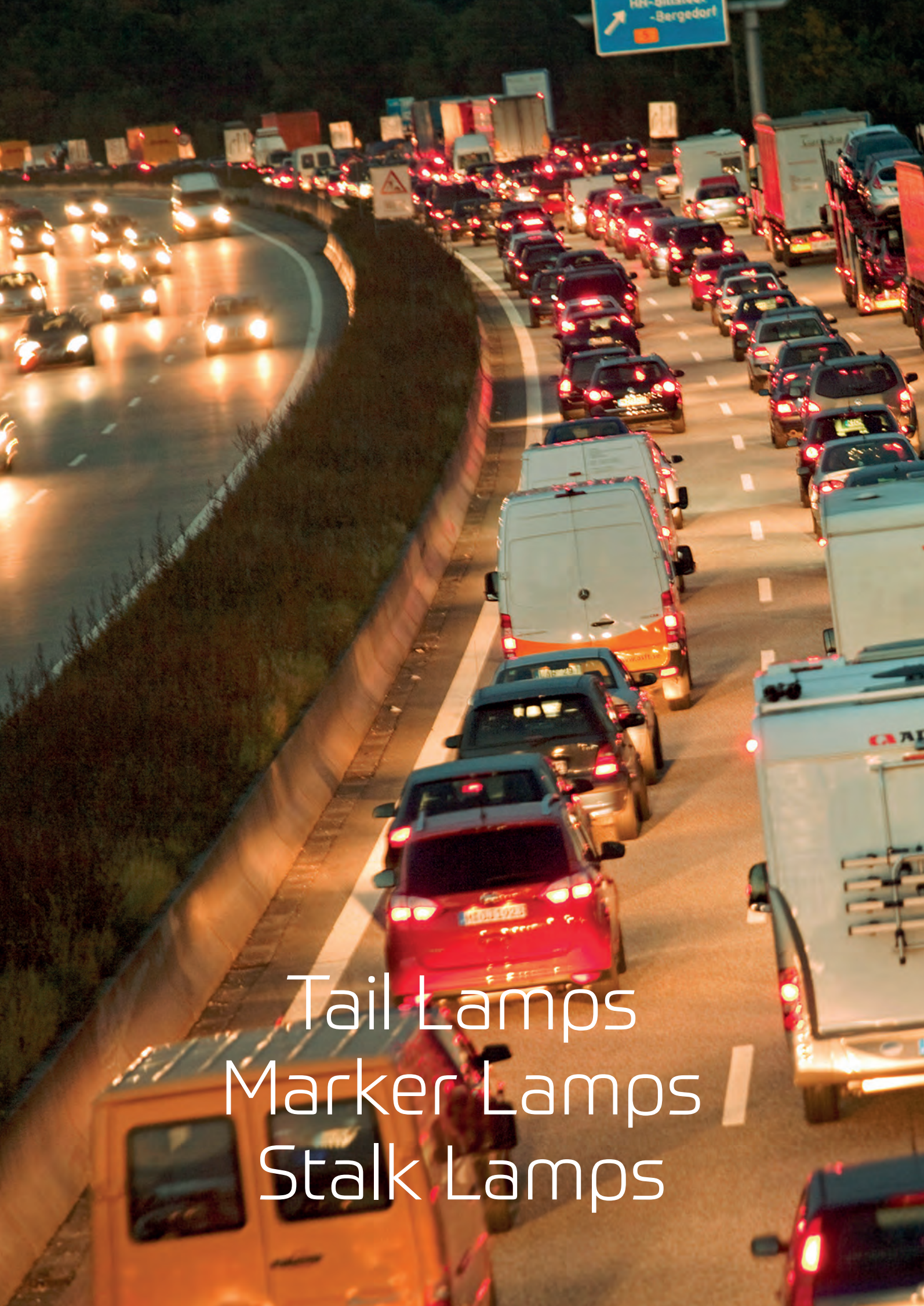
### 6" EXPLORER WORKLAMP

CA 6170

CREE TECHNOLOGY



Product Code	Voltage	ECE Reg	EMC	IP	Lumens	LED	Lens Material	Lamp Housing	Fixing	Watt	Operation Temperature
CA 6160	9 - 32v	-	✓	IP68	5000	7 CREE	Polycarbonate	Aluminium	S/Steel Bracket Mount	35W	-40°C - +50°C
CA 6170	9 - 32v	-	✓	IP68	11000	7 CREE	Polycarbonate	Aluminium	S/Steel Bracket Mount	70W	-40°C - +50°C



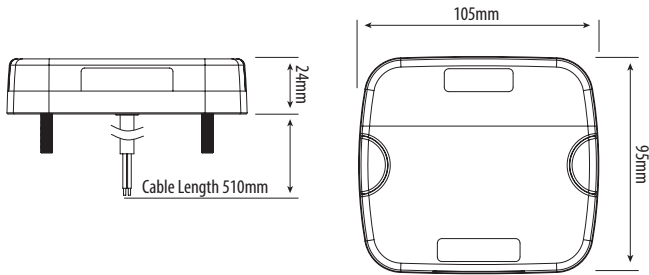
Tail Lamps  
Marker Lamps  
Stalk Lamps

# LED Tail Lamps

LED

## 4" MULTIFUNCTIONAL TAIL LAMP

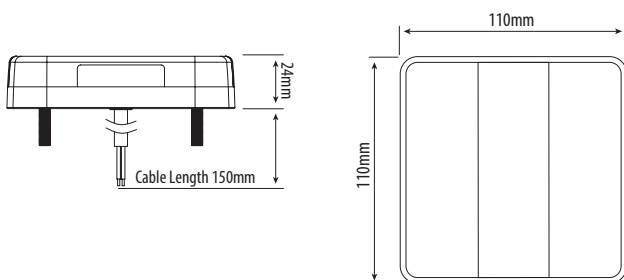
CA 7093



STOP	TAIL	D.I.	REVERSE	FOG	REFLECTOR	NO. PLATE
✓	✓	✓	-	-	✓	✓

## 4.5" MULTIFUNCTIONAL TAIL LAMP

CA 7058



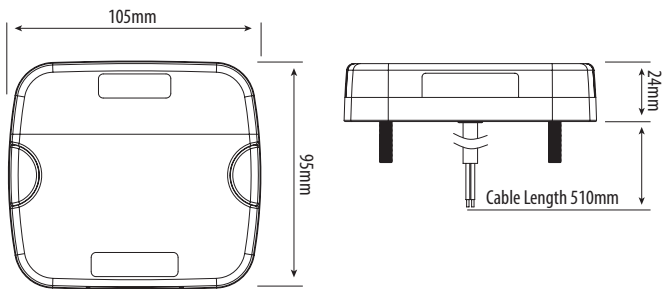
STOP	TAIL	D.I.	REVERSE	FOG	REFLECTOR	NO. PLATE
✓	✓	✓	-	-	✓	-

Product Code	Voltage	ECE Reg	IP	Lens	Lamp Material	Fixing Housing	Operation Temperature
CA 7093	12-24v	Reg 3 / 4 / 6 / 7	IP67	Polycarbonate	ABS	Bolt or Screw Mounting	-40°C - +65°C
CA 7058	12v	Reg 3 / 6 / 7	IP65	Acrylic	ABS	Bolt Mounting	-40°C - +65°C

## LED

### 4" FRONT POSITION / INDICATOR LAMP

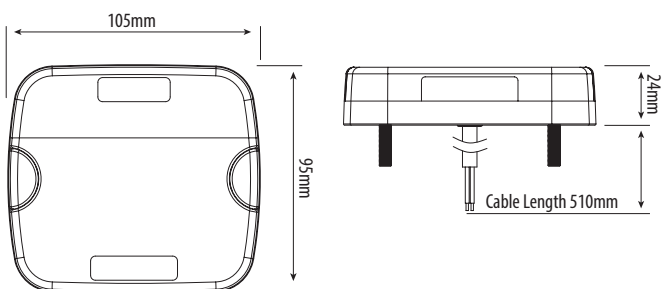
CA 7094



STOP	TAIL	D.I.	REVERSE	FOG	REFLECTOR	NO. PLATE
-	-	✓	-	-	✓	✓

### 4" FOG / REVERSE LAMP

CA 7095



STOP	TAIL	D.I.	REVERSE	FOG	REFLECTOR	NO. PLATE
-	-	-	✓	✓	✓	-

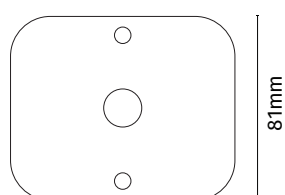
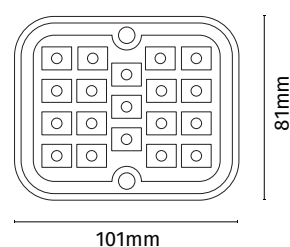
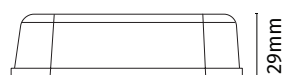
Product Code	Voltage	ECE Reg	IP	Lens	Lamp Material	Fixing Housing	Operation Temperature
CA 7094	12-24v	Reg 3 / 6 / 7 / 10	IP67	Polycarbonate	ABS	Bolt or Screw Mounting	-40°C - +65°C
CA 7055	12-24v	Reg 3 / 10 / 23 / 38	IP65	Polycarbonate	ABS	Bolt or Screw Mounting	-40°C - +65°C

# LED Tail Lamps

**LED**

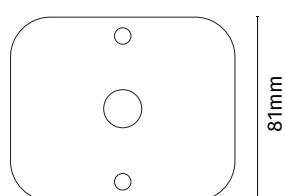
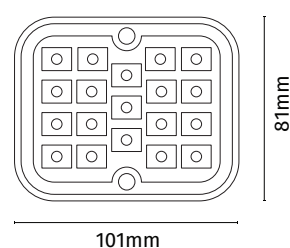
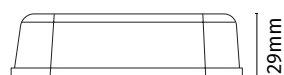
FOG LAMP

CA 7103



REVERSE LAMP

CA 7102



Product Code	Voltage	ECE Reg	IP	Lens Material	Base Material	Fixing	Operation Temperature
CA 7103	12v	38	IP67	PMMA	ABS Housing	Bolt Mounting	-45°C - +70°C
CA 7102	12v	23	IP67	PMMA	ABS Housing	Bolt Mounting	-45°C - +70°C

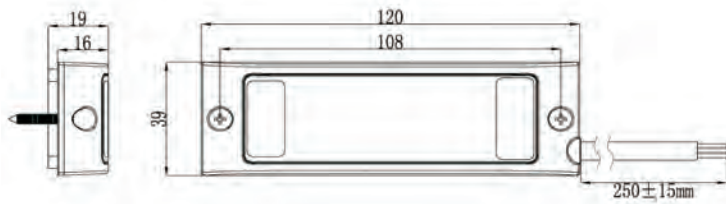


# LED Tail Lamps (Miniature)

LED

## MULTIFUNCTIONAL TAIL LAMP

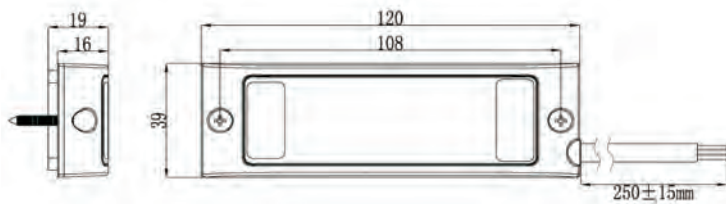
CA 7092



STOP	TAIL	D.I.	REVERSE	FOG	REFLECTOR	NO. PLATE
✓	✓	✓	-	-	-	-

## FOG / REVERSE LAMP

CA 7096



STOP	TAIL	D.I.	REVERSE	FOG	REFLECTOR	NO. PLATE
-	-	-	✓	✓	-	-

Product Code	Voltage	ECE Reg	IP	Lens Material	Lamp Housing	Fixing Temperature	Operation
CA 7092	10-30v	6 / 7 / 10	IP67	PMMA	ABS	Bolt Mounting	-40°C - +65°C
CA 7096	10-30v	10 / 23 / 38	IP67	Polycarbonate	Polycarbonate	Bolt Mounting	-40°C - +65°C

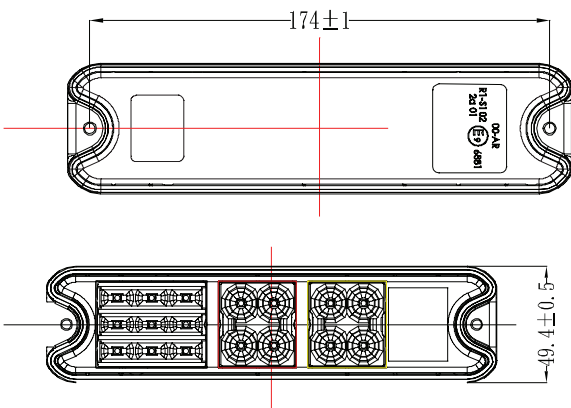
# LED Tail Lamps (Multifunction)



LED

## MULTIFUNCTIONAL TAIL LAMP

CA 7070



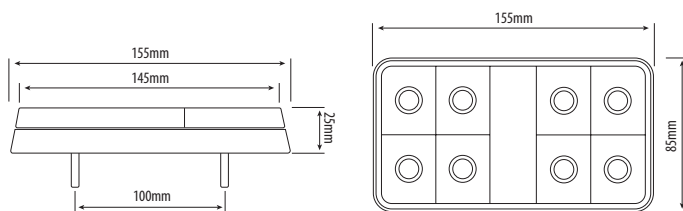
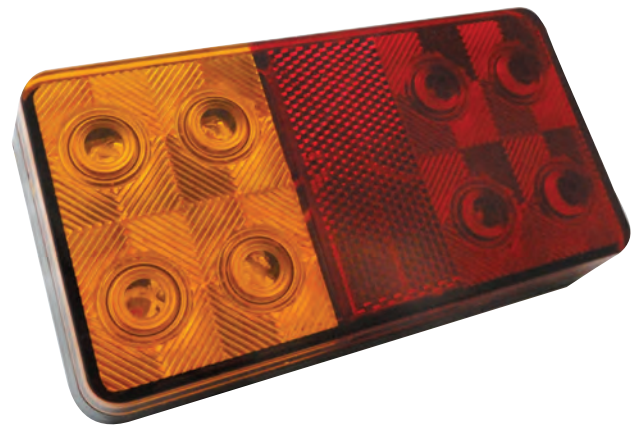
STOP	TAIL	D.I.	REVERSE	FOG	FRONT POSITION	NO. PLATE
✓	✓	✓	✓	-	-	-

Product Code	Voltage	ECE Reg	IP	Lens Material	Base Material	Fixing	Operation Temperature
CA 7070	10-30v	3 / 7 / 23	IP67	Polycarbonate	ABS Housing	Bolt Mounting	-40°C - +65°C

## LED

### MULTIFUNCTIONAL TAIL LAMP (TWIN PACK)

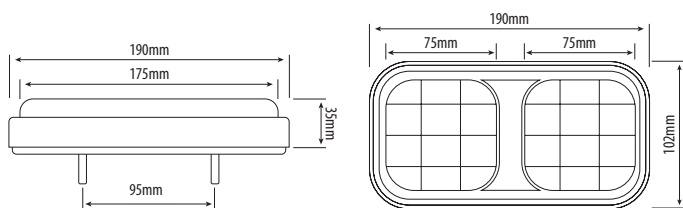
CA 7060



STOP	TAIL	D.I.	REVERSE	FOG	REFLECTOR	NO. PLATE
✓	✓	✓	-	-	✓	-

### MULTIFUNCTIONAL TAIL LAMP

CA 7069



STOP	TAIL	D.I.	REVERSE	FOG	REFLECTOR	NO. PLATE
✓	✓	✓	-	-	✓	-

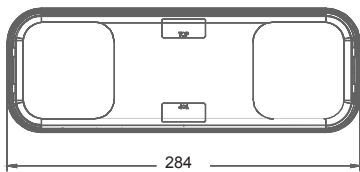
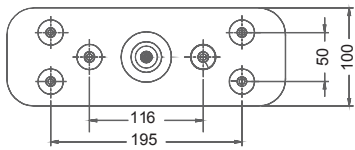
Product Code	Voltage	ECE Reg	IP	Lens	Lamp Material	Fixing Housing	Operation Temperature
CA 7060	12v	Reg 3 / 6 / 7	IP66	Acrylic	ABS	Bolt Mounting	-40°C - +65°C
CA 7069	12v-24v	Reg 3 / 6 / 7	IP67	Polycarbonate	ABS	Bolt Mounting	-40°C - +65°C

# LED Tail Lamps

LED

## MULTIFUNCTIONAL TAIL LAMP

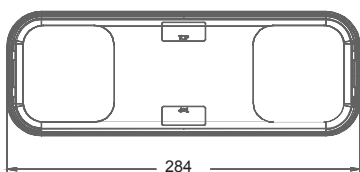
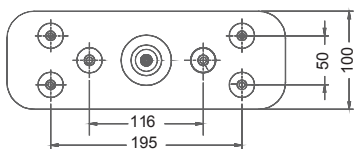
CA 7099



STOP	TAIL	D.I.	REVERSE	FOG	REFLECTOR	NO. PLATE
✓	✓	✓	✓	-	✓	-

## MULTIFUNCTIONAL TAIL LAMP

CA 7098



STOP	TAIL	D.I.	REVERSE	FOG	REFLECTOR	NO. PLATE
✓	✓	✓	✓	✓	✓	-

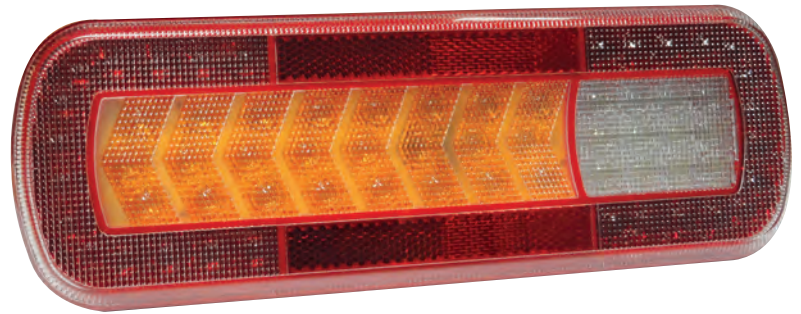
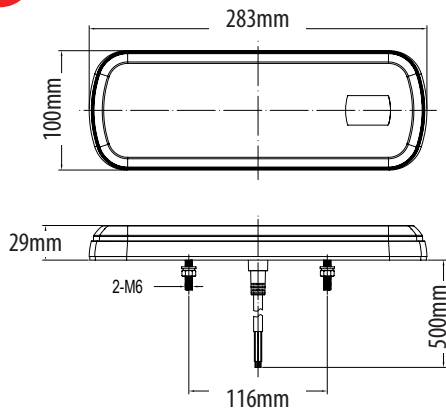
Product Code	Voltage	ECE Reg	IP	Lens Material	Lamp Housing	Fixing	Operation Temperature
CA 7099	12-24v	3 / 6 / 7 / 23	IP67	Polycarbonate	ABS	Bolt Mounting	-40°C - +65°C
CA 7098	12-24v	3 / 6 / 7 / 23 / 38	IP67	Polycarbonate	ABS	Bolt Mounting	-40°C - +65°C

# LED Tail Lamps (Combination)

LED

## COMBINATION TAIL LAMP

CA 7048



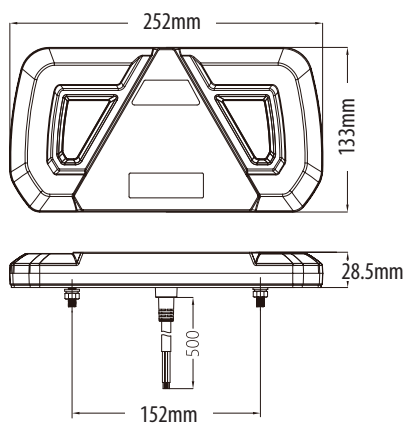
STOP	TAIL	D.I.	REVERSE	FOG	REFLECTOR	NO. PLATE
✓	✓	✓	✓	✓	✓	-

## COMBINATION TAIL LAMP (LEFT)

CA 7046

## COMBINATION TAIL LAMP (RIGHT)

CA 7047



STOP	TAIL	D.I.	REVERSE	FOG	REFLECTOR	NO. PLATE
✓	✓	✓	✓	✓	✓	-

Product Code	Voltage	ECE Reg	IP	Lens	Lamp Material	Fixing Housing	Watt	Operation Temperature
CA 7048	12-24v	7 / 23 / 6 / 38 / 3	IP67	Polycarbonate	Polycarbonate	Bolt Mount	13	-40°C - +65°C
CA 7046	12v-24v	7 / 23 / 6 / 38 / 3	IP67	PMMA	Polycarbonate	Bolt Mount / M6	11	-40°C - +65°C
CA 7047	12v-24v	7 / 23 / 6 / 38 / 3	IP67	PMMA	Polycarbonate	Bolt Mount / M6	11	-40°C - +65°C

# LED Tail Lamps (Multifunction)

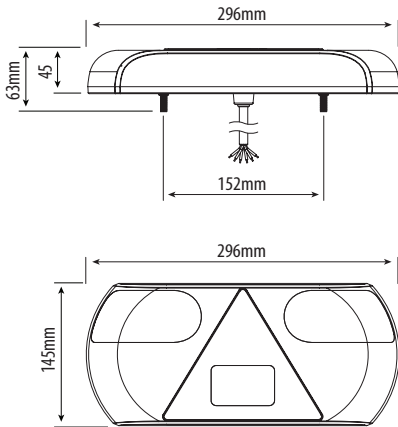
LED

## MULTIFUNCTIONAL TAIL LAMP (LEFT)

CA 7035

## MULTIFUNCTIONAL TAIL LAMP (RIGHT)

CA 7036



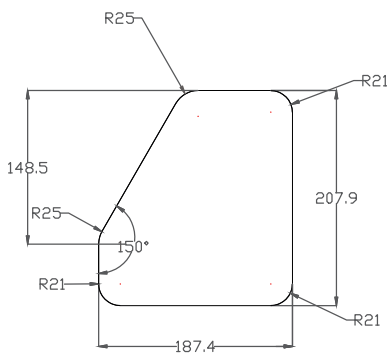
CODE	STOP	TAIL	D.I.	REVERSE	FOG	REFLECTOR	NO. PLATE
CA 7035	✓	✓	✓	✓	✓	✓	-
CA 7036	✓	✓	✓	✓	-	✓	-

## MULTIFUNCTIONAL TAIL LAMP (LEFT)

CA 7105L

## MULTIFUNCTIONAL TAIL LAMP (RIGHT)

CA 7105R



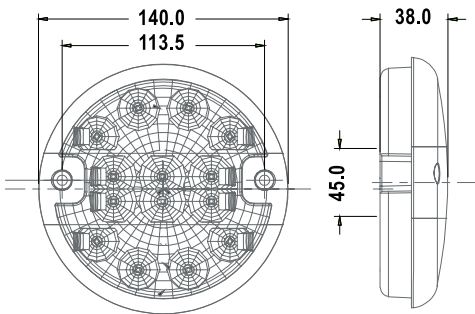
CODE	STOP	TAIL	D.I.	REVERSE	FOG	REFLECTOR	NO. PLATE
CA 7105L	✓	✓	✓	✓	-	✓	-
CA 7105R	✓	✓	✓	-	✓	✓	-

Product Code	Voltage	ECE Reg	IP	Lens Material	Base Material	Fixing	Operation Temperature
CA 7035	12-24v	3 / 6 / 7 / 38 / 23	IP67	Polycarbonate	ABS Housing	Bolt or Screw Mounting	-40°C - +65°C
CA 7036	12-24v	3 / 6 / 7 / 23 / 38	IP67	Polycarbonate	ABS Housing	Bolt or Screw Mounting	-40°C - +65°C
CA 7105L	12-30v	3 / 6 / 7 / 23	IP67	PMMA	ABS Housing	Bolt Mounting	-45°C - +70°C
CA 7105R	12-30v	3 / 6 / 7 / 23	IP67	PMMA	ABS Housing	Bolt Mounting	-45°C - +70°C

## LED

### ROUND LED LIGHT (FOG)

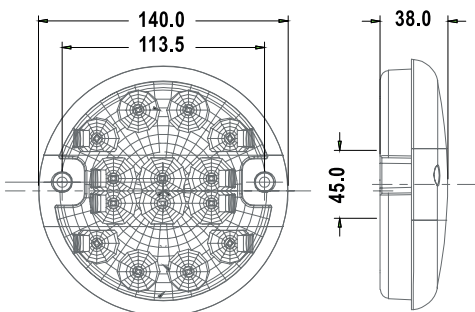
CA 9013



STOP	TAIL	D.I.	REVERSE	FOG	FRONT POSITION	NO. PLATE
-	-	-	-	✓	-	-

### ROUND LED LIGHT (REVERSE)

CA 9014



STOP	TAIL	D.I.	REVERSE	FOG	FRONT POSITION	NO. PLATE
-	-	-	✓	-	-	-

Product Code	Voltage	ECE Reg	IP	Lens Material	Housing Material	Fixing	Watt	Operation Temperature
CA 9013	12-24v	38	IP67	PMMA (Red)	ABS (No Bowl)	Bolt Mount	4w	-40°C - +65°C
CA 9014	12-24v	23	IP67	PMMA (Clear)	ABS (No Bowl)	Bolt Mount	1.5w	-40°C - +65°C

# LED Tail Lamps (Multifunction)

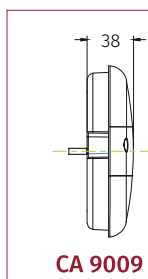
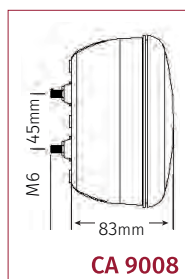
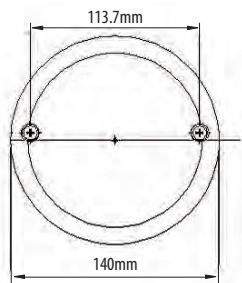
LED

## MULTIFUNCTIONAL TAIL LAMP

CA 9008

## MULTIFUNCTIONAL TAIL LAMP (NO BASE)

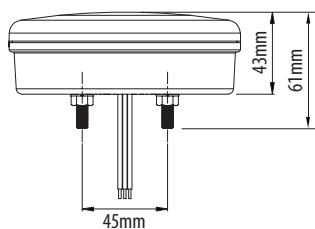
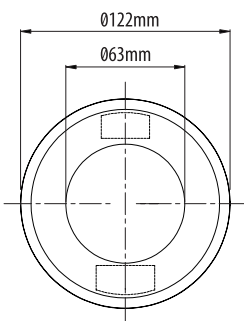
CA 9009



STOP	TAIL	D.I.	REVERSE	FOG	REFLECTOR	NO. PLATE
✓	✓	✓	-	-	-	-

## MULTIFUNCTIONAL TAIL LAMP

CA 7008



STOP	TAIL	D.I.	REVERSE	FOG	REFLECTOR	NO. PLATE
✓	✓	✓	-	-	-	-

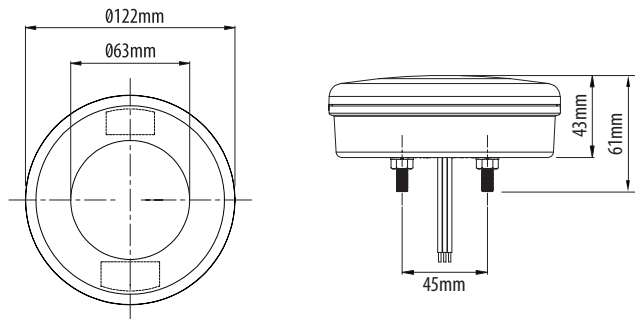
Product Code	Voltage	ECE Reg	IP	Lens Material	Base Material	Fixing	Watt	Operation Temperature
CA 9008	6-30v	6 / 7	IP67	Polycarbonate	ABS	Bolt Mounting	4.5	-40°C - +65°C
CA 9009	6-30v	6 / 7	IP67	Polycarbonate	ABS	Bolt Mounting	4.5	-45°C - +65°C
CA 7008	10-30v	6 / 7	IP67	Polycarbonate	ABS	Solid Steel Screws	4.0	-40°C - +65°C



LED

## MULTIFUNCTIONAL FOG / REVERSE

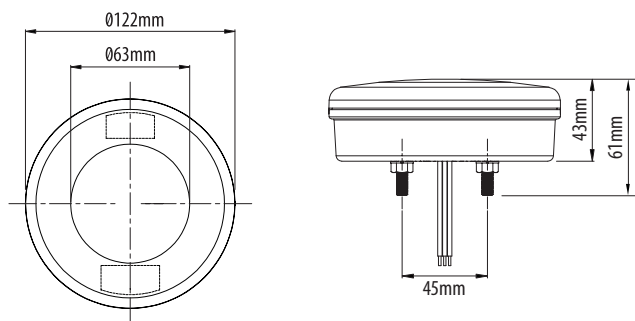
CA 7009



STOP	TAIL	D.I.	REVERSE	FOG	FRONT POSITION	NO. PLATE
-	-	-	✓	✓	-	-

## 5.5" MULTIFUNCTIONAL FRONT POSITION / INDICATOR

CA 7010



STOP	TAIL	D.I.	REVERSE	FOG	FRONT POSITION	NO. PLATE
-	-	✓	-	-	✓	-

Product Code	Voltage	ECE Reg	IP	Lens Material	Base Material	Fixing	Operation Temperature
CA 7009	12-24v	23 / 38	IP67	Polycarbonate	ABS Housing	Bolt Mounting	-40°C - +65°C
CA 7010	12-24v	6 / 7	IP67	Polycarbonate	ABS Housing	Bolt Mounting	-40°C - +65°C

# LED Tail Lamps (Multifunction)

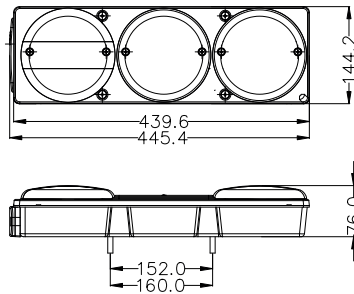
**LED**

MULTIFUNCTIONAL TAIL LAMP

CA 7040

MULTIFUNCTIONAL TAIL LAMP

CA 7041



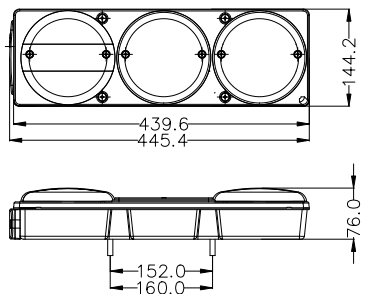
CODE	STOP	TAIL	D.I.	REVERSE	FOG	REFLECTOR	SIDE MARKER
CA 7040	✓	✓	✓	✓	-	✓	-
CA 7041	✓	✓	✓	-	✓	✓	-

MULTIFUNCTIONAL TAIL LAMP

CA 7042

MULTIFUNCTIONAL TAIL LAMP

CA 7044



Amber Side Marker

CODE	STOP	TAIL	D.I.	REVERSE	FOG	REFLECTOR	SIDE MARKER
CA 7042	✓	✓	✓	-	-	✓	✓ Left
CA 7044	✓	✓	✓	-	-	✓	✓ Right

Product Code	Voltage	ECE Reg	IP	Lens Material	Base Material	Fixing	Watt	Operation Temperature
CA 7040	12 - 24v	7 / 6 / 3 / 23	IP67	PMMA	ABS Housing	Bolt Mount	10.5	-40°C - +60°C
CA 7041	12 - 24v	7 / 6 / 3 / 38	IP67	PMMA	ABS Housing	Bolt Mount	12.5	-40°C - +60°C
CA 7042	12 - 24v	6 / 7 / 3 / 91	IP67	PMMA	ABS Housing	Bolt Mount	13.5	-40°C - +60°C
CA 7044	12 - 24v	6 / 7 / 3 / 91	IP67	PMMA	ABS Housing	Bolt Mount	13.5	-40°C - +60°C

## LED

### MARKER LAMPS (AMBER)

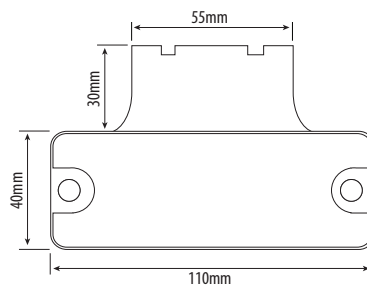
CA 6090A

### MARKER LAMPS (RED)

CA 6090R

### MARKER LAMPS (WHITE)

CA 6090W



### MARKER LAMPS (AMBER)

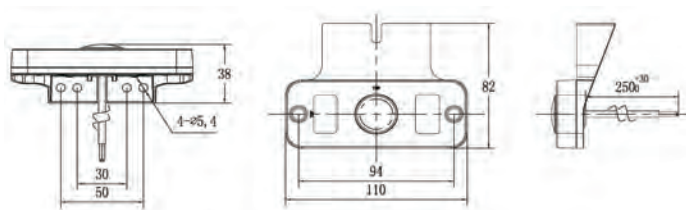
CA 7090A

### MARKER LAMPS (RED)

CA 7090R

### MARKER LAMPS (WHITE)

CA 7090W



Product Code	Voltage	ECE Reg	LED	IP	Lens Material	Base Material	Fixing	Operation Temperature
CA 6090A	10-30v	91	3	IP65	PMMA	ABS	Flush/Bracket Mount	-40°C - +85°C
CA 6090R	10-30v	7	3	IP65	PMMA	ABS	Flush/Bracket Mount	-40°C - +85°C
CA 6090W	10-30v	7	3	IP65	PMMA	ABS	Flush/Bracket Mount	-40°C - +85°C
CA 7090A	12-24v	3 / 10 / 91	5	IP67	PMMA	ABS	Surface Mount	-30°C - +50°C
CA 7090R	12-24v	3 / 7 / 10	5	IP67	PMMA	ABS	Surface Mount	-30°C - +50°C
CA 7090W	12-24v	3 / 7 / 10	5	IP67	PMMA	ABS	Surface Mount	-30°C - +50°C

# LED Marker Lamps

## LED

MARKER LAMPS (AMBER)

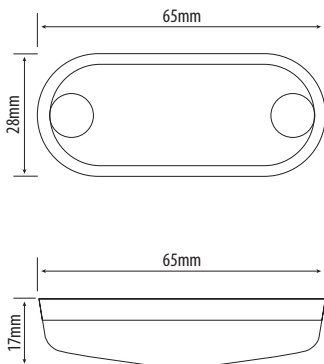
CA 6095A

MARKER LAMPS (RED)

CA 6095R

MARKER LAMPS (WHITE)

CA 6095W



## SMD

MARKER LAMPS (AMBER)

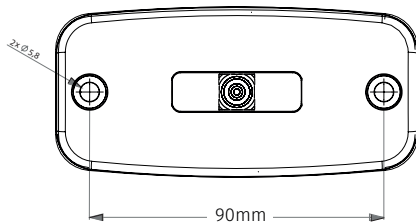
CA 9300A

MARKER LAMPS (RED)

CA 9300R

MARKER LAMPS (WHITE)

CA 9300W



Product Code	Voltage	ECE Reg	LED	IP	Lens Material	Base Material	Fixing	Operation Temperature
CA 6095A	12-30v	91	2	IP66	Polycarbonate	ABS Housing	Surface Mount	-40°C - +65°C
CA 6095R	12-30v	7	2	IP66	Polycarbonate	ABS Housing	Surface Mount	-40°C - +65°C
CA 6095W	12-30v	7	2	IP66	Polycarbonate	ABS Housing	Surface Mount	-40°C - +65°C
CA 9300A	12-24v	3 / 91	3	IP68	PMMA	ABS	Surface Mount	-30°C - +50°C
CA 9300R	12-24v	3 / 7	3	IP68	PMMA	ABS	Surface Mount	-30°C - +50°C
CA 9300W	12-24v	3 / 7	3	IP68	PMMA	ABS	Surface Mount	-30°C - +50°C

## LED

### MARKER LAMPS (AMBER)

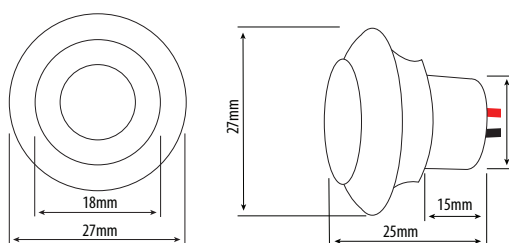
CA 6091A

### MARKER LAMPS (RED)

CA 6091R

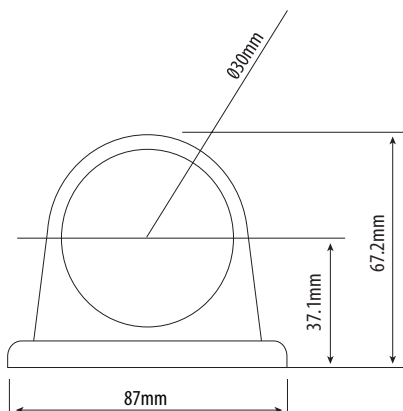
### MARKER LAMPS (WHITE)

CA 6091W



### RUBBER MARKER LAMP

CA 9711



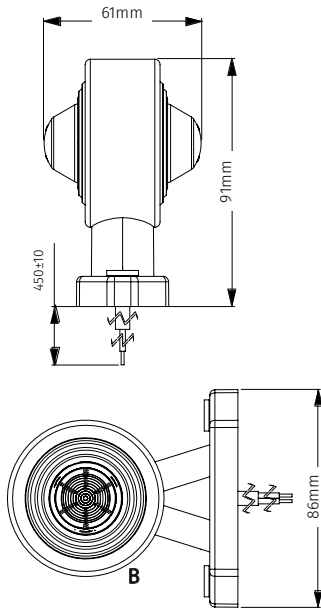
Product Code	Voltage	ECE Reg	IP	Lens Material	Housing Material	Fixing	Operation Temperature
CA 6091A	10-30v	91	IP67	PMMA	-	Surface Mount	-40°C - +65°C
CA 6091R	10-30v	7	IP67	PMMA	-	Surface Mount	-40°C - +65°C
CA 6091W	10-30v	7	IP67	PMMA	-	Surface Mount	-40°C - +65°C
CA 9711	12-24v	7 (Red) / 7 (Clear)	IP67	PMMA	EPDM	Surface Mount	-40°C - +65°C

# LED Stalk Lamps

LED

## STALK LAMP

CA 9713



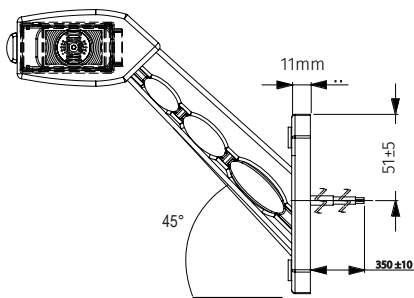
CODE	FRONT (White)	REAR (Red)	SIDE (Amber)	POSITION	ANGLE
CA 9713	✓	✓	-	-	-

## STALK LAMP (LEFT 45°)

CA 6198V

## STALK LAMP (RIGHT 45°)

CA 6199V



CODE	FRONT (White)	REAR (Red)	SIDE (Amber)	POSITION	ANGLE
CA 6198V	✓	✓	✓	Left	45°
CA 6199V	✓	✓	✓	Right	45°

Product Code	Voltage	ECE Reg	IP	Lens Material	Base Material	Fixing	Operation Temperature
CA 9713	12-24v	7 (Red) / 7 (Clear)	IP68	PMMA	PVC	Surface Mounting	-30°C - +50°C
CA 9198V	12-24v	7 / 91	IP68	Polycarbonate	PVC	Vertical Mounting	-30°C - +50°C
CA 9199V	12-24v	7 / 91	IP68	Polycarbonate	PVC	Vertical Mounting	-30°C - +50°C

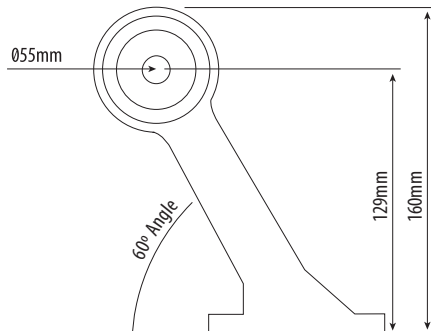
## LED

STALK LAMP (LEFT 60°)

CA 6296

STALK LAMP (RIGHT 60°)

CA 6297

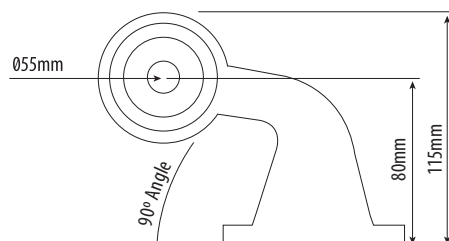


STALK LAMP (LEFT 90°)

CA 6298

STALK LAMP (RIGHT 90°)

CA 6299



Product Code	Voltage	ECE Reg	IP	Lens Material	Base Material	Fixing	Operation Temperature
CA 6296	12-24v	7 (Red) / 7 (Clear)	IP66	Polycarbonate	ABS Housing	Surface Mount	-40°C - +65°C
CA 6297	12-24v	7 (Red) / 7 (Clear)	IP66	Polycarbonate	ABS Housing	Surface Mount	-40°C - +65°C
CA 6298	12-24v	7 (Red) / 7 (Clear)	IP66	Polycarbonate	ABS Housing	Surface Mount	-40°C - +65°C
CA 6299	12-24v	7 (Red) / 7 (Clear)	IP66	Polycarbonate	ABS Housing	Surface Mount	-40°C - +65°C

# LED Stalk Lamps

## LED

### STALK LAMP (LEFT 60°)

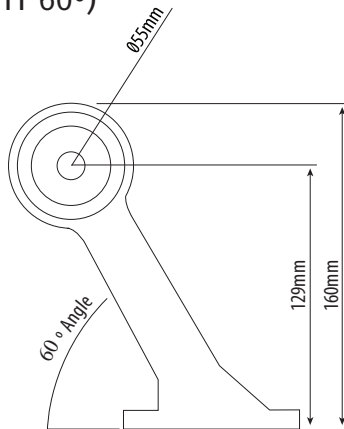
CA 6096

EPDM RUBBER HOUSING

EXTRA FLEXIBLE

### STALK LAMP (RIGHT 60°)

CA 6097



### STALK LAMP (LEFT 90°)

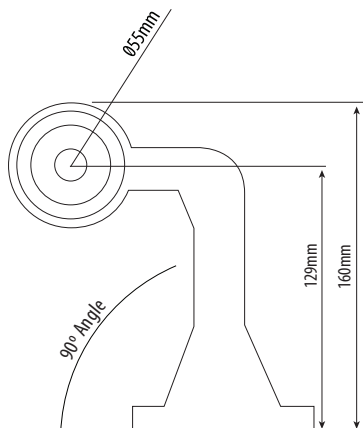
CA 6196

EPDM RUBBER HOUSING

EXTRA FLEXIBLE

### STALK LAMP (RIGHT 90°)

CA 6197



Product Code	Voltage	ECE Reg	IP	Lens Material	Base Material	Fixing	Operation Temperature
CA 6096	12-24v	7 (Red) / 7 (Clear)	IP67	PMMA	EPDM Rubber Arm	Surface Mount	-40°C - +65°C
CA 6097	12-24v	7 (Red) / 7 (Clear)	IP67	PMMA	EPDM Rubber Arm	Surface Mount	-40°C - +65°C
CA 6196	12-24v	7 (Red) / 7 (Clear)	IP67	PMMA	EPDM Rubber Arm	Surface Mount	-40°C - +65°C
CA 6197	12-24v	7 (Red) / 7 (Clear)	IP67	PMMA	EPDM Rubber Arm	Surface Mount	-40°C - +65°C



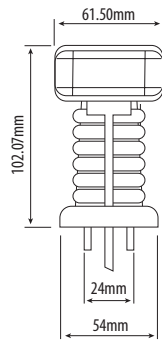
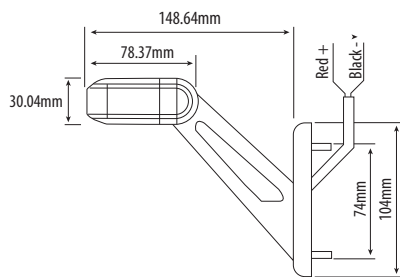
## LED

STALK LAMP (LEFT 45°)

CA 6193V

STALK LAMP (RIGHT 45°)

CA 6194V



EPDM RUBBER HOUSING

VERTICAL MOUNT



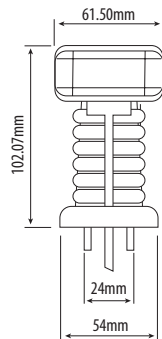
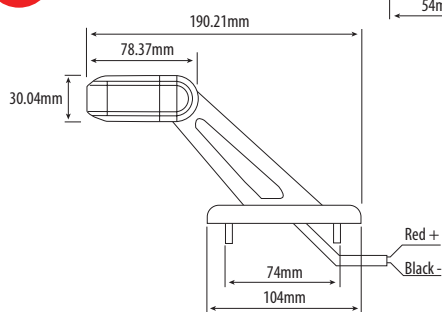
CODE	FRONT (White)	REAR (Red)	SIDE (Amber)	POSITION	ANGLE
CA 6193V	✓	✓	✓	Left	45°
CA 6194V	✓	✓	✓	Right	45°

STALK LAMP (LEFT 45°)

CA 6193

STALK LAMP (RIGHT 45°)

CA 6194



EPDM RUBBER HOUSING

HORIZONTAL MOUNT



CODE	FRONT (White)	REAR (Red)	SIDE (Amber)	POSITION	ANGLE
CA 6193	✓	✓	✓	Left	45°
CA 6194	✓	✓	✓	Right	45°

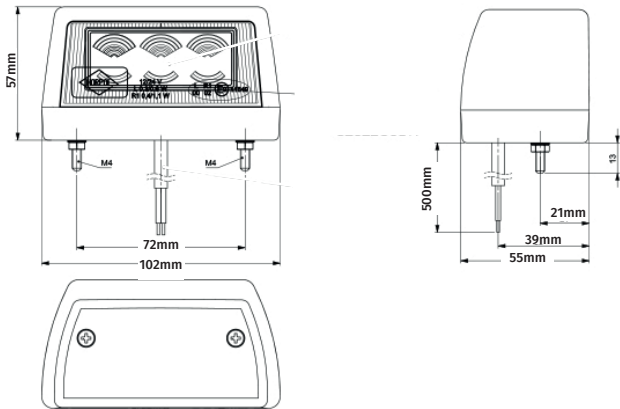
Product Code	Voltage	ECE Reg	IP	Lens Material	Base Material	Fixing	Operation Temperature
CA 6193V	12-24v	7 / 91	IP67	PMMA	EPDM Rubber Arm	Vertical Mount	-40°C - +65°C
CA 6194V	12-24v	7 / 91	IP67	PMMA	EPDM Rubber Arm	Vertical Mount	-40°C - +65°C
CA 6193	12-24v	7 / 91	IP67	PMMA	EPDM Rubber Arm	Horizontal Mount	-40°C - +65°C
CA 6194	12-24v	7 / 91	IP67	PMMA	EPDM Rubber Arm	Horizontal Mount	-40°C - +65°C

# LED Numberplate Lamps

LED

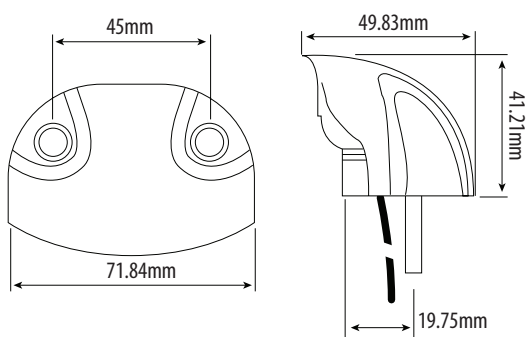
## NUMBERPLATE LAMP

CA 7086



## NUMBERPLATE LAMP

CA 7085



Product Code	Voltage	ECE Reg	IP	Lens Material	Base Material	Fixing	Operation Temperature
CA 7086	12-24v	4	IP68	PMMA	PC & ABS Housing	Surface Mount	-30°C - +50°C
CA 7085	10-30v	4	IP67	Polycarbonate	ABS Housing	Surface Mount	-40°C - +65°C

## BULB

### TRAILER BOARDS WITH FOG LIGHTS

**CA 9500**

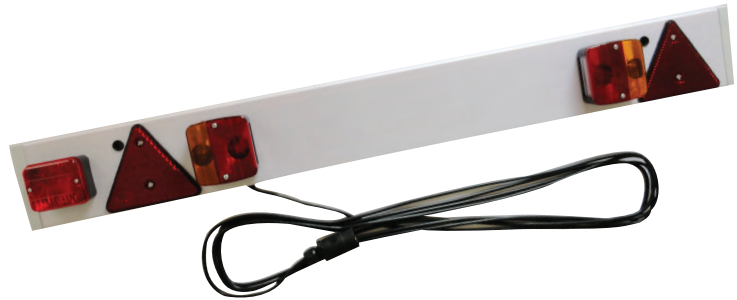
4ft Length / 7 Metre Cable

**CA 9502**

4ft Length / 12 Metre Cable

**CA 9501**

5ft Length / 12 Metre Cable



BULB

CODE	REFLECTOR	STOP	TAIL	INDICATOR	FOG
ALL	✓	✓	✓	✓	✓

## LED

### LED TRAILER BOARDS WITH FOG LIGHTS

**CA 9504**

4ft Length / 7 Metre Cable

**CA 9507**

5ft Length / 12 Metre Cable

**CA 9505**

4ft Length / 12 Metre Cable



LED

CODE	REFLECTOR	STOP	TAIL	INDICATOR	FOG
ALL	✓	✓	✓	✓	✓

Product Code	Voltage	ECE Reg	IP	Fog Light	Light Source	Lens Material	Board Material	Power Connection	Cable Length	Board Length
CA 9500	12v	3 / 4 / 6 / 7 / 38	IP67	✓	Bulb	Acrylic	PVC	7 Pin	7mtr	4ft
CA 9502	12v	3 / 4 / 6 / 7 / 38	IP67	✓	Bulb	Acrylic	PVC	7 Pin	12mtr	4ft
CA 9501	12v	3 / 4 / 6 / 7 / 38	IP67	✓	Bulb	Acrylic	PVC	7 Pin	12mtr	5ft
CA 9504	12v	3 / 4 / 6 / 7 / 38	IP67	✓	LED	Acrylic	PVC	7 Pin	7mtr	4ft
CA 9507	12v	3 / 4 / 6 / 7 / 38	IP67	✓	LED	Acrylic	PVC	7 Pin	12mtr	5ft
CA 9505	12v	3 / 4 / 6 / 7 / 38	IP67	✓	LED	Acrylic	PVC	7 Pin	12mtr	4ft

# Trailer Lights

## BULB

### MAGNETIC TRAILER LIGHTS

#### CA 9550

7.5 Metre Cable

#### CA 9550L

Lens for: CA 9550, CA 9500, CA 9501, CA 9502, CA 9509.

#### CA 9200

Module for: CA 9550, CA 9500, CA 9501, CA 9502, CA 9509.



BULB

CODE	REFLECTOR	STOP	TAIL	INDICATOR	FOG
CA 9550	-	✓	✓	✓	-

## LED

### LED MAGNETIC TRAILER LIGHTS

#### CA 9553

7.5 Metre Cable

#### CA 9554

12 Metre Cable



LED

CODE	REFLECTOR	STOP	TAIL	INDICATOR	FOG
CA 9553	✓	✓	✓	✓	-
CA 9554	✓	✓	✓	✓	-

Product Code	Voltage	ECE Reg	IP	Light Source	Lens Material	Power Connection	Cable Length
CA 9550	12v	4 / 6 / 7	IP67	Bulb	Acrylic	7 Pin	7.5mtr (2.5mtr between lamps)
CA 9553	12v	3 / 4 / 6 / 7	IP67	LED	Acrylic	7 Pin	7.5mtr (2.5mtr between lamps)
CA 9554	12v	3 / 4 / 6 / 7	IP67	LED	Acrylic	7 Pin	12mtr (2.5mtr between lamps)



Interior Lights  
Lead Lights  
Flood Lights

# Interior Lights

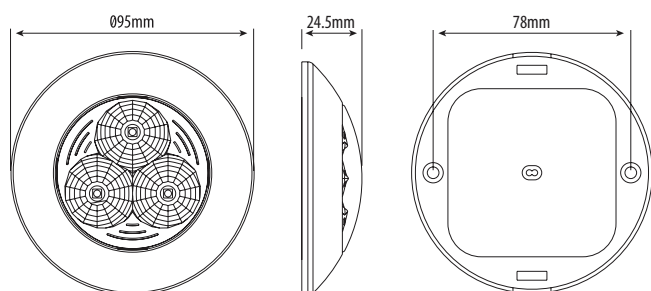
LED

## 4" ROUND INTERIOR LIGHT

CA 6151

400mm Cable

LED

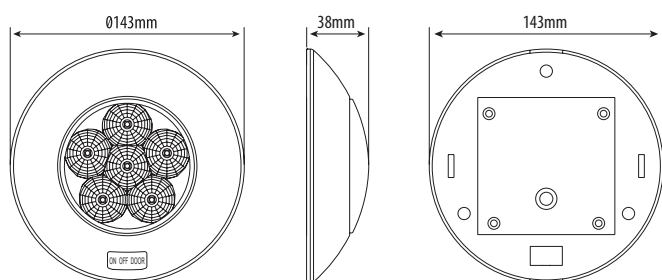


## 6" ROUND INTERIOR LIGHT (C/W SWITCH)

CA 6150

400mm Cable

LED

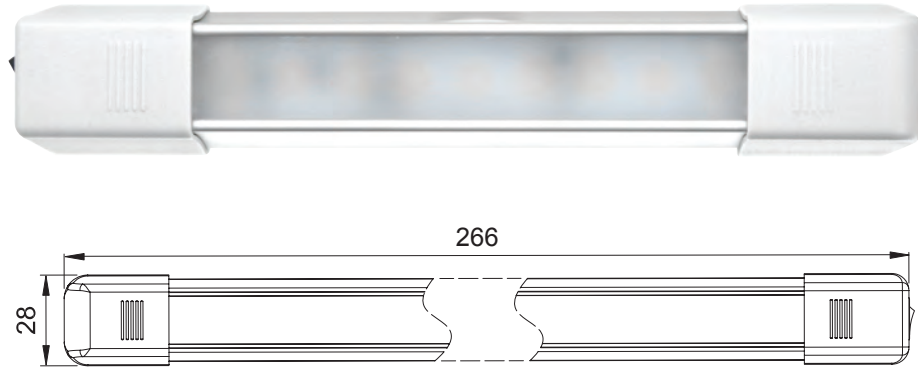


Product Code	Voltage	LED	Lumens	Housing Material	Lens Material	Fixing	Watts	Switch
CA 6151	12 - 28v	3	330	ABS	Polycarbonate	Surface Mount	3w	-
CA 6150	12 - 28v	6	660	ABS	Polycarbonate	Surface Mount	6w	On/Off/Door

## SMD

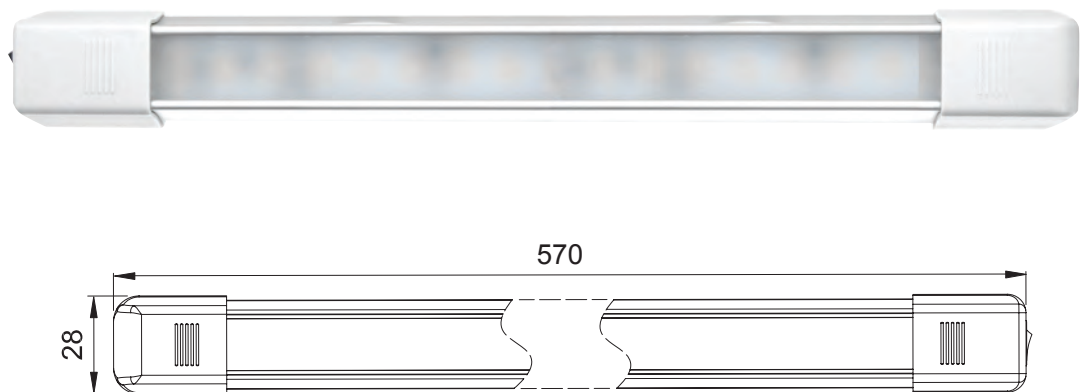
### INTERIOR LIGHT (266mm)

CA 7079



### INTERIOR LIGHT (570mm)

CA 7080



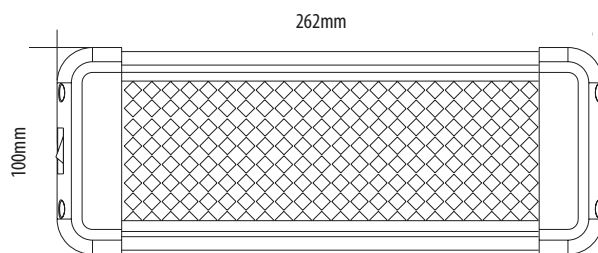
Product Code	Voltage	LED	Lumens	Housing Material	Lens Material	Fixing	Watts	Switch
CA 7079	12 - 24v	18	380	Acrylic	Aluminium	S/Steel Fixing	3w	✓
CA 7080	12 - 24v	45	900	Acrylic	Aluminium	S/Steel Fixing	6w	✓

# Interior Lights

SMD

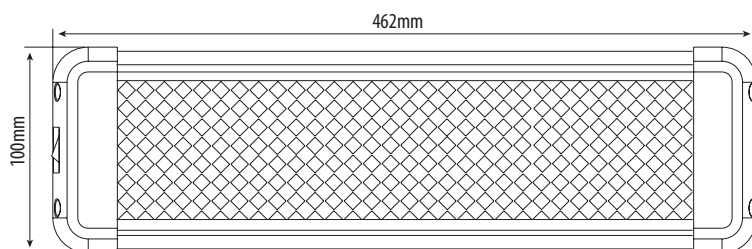
## INTERIOR LIGHT (262mm)

CA 7078



## INTERIOR LIGHT (452mm)

CA 7077



Product Code	Voltage	LED	Lumens	Housing Material	Lens Material	Fixing	Watts	Switch
CA 7078	12 - 24v	48 SMD	960	Acrylic	Aluminium	Surface Mount	7.7w	✓
CA 7077	12 - 24v	96 SMD	1920	Acrylic	Aluminium	Surface Mount	15.3w	✓

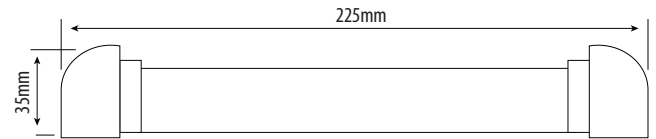


## LED

### INTERIOR SWIVEL LIGHT (225mm)

CA 6078

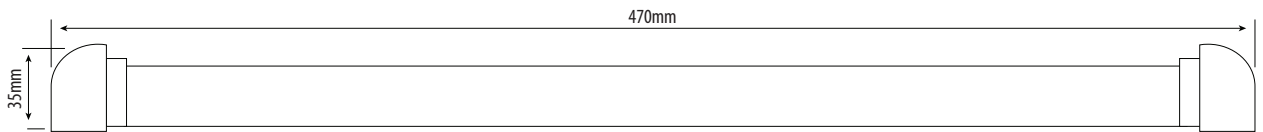
400mm Cable



### INTERIOR SWIVEL LIGHT (470mm)

CA 6077

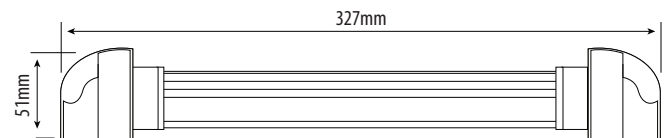
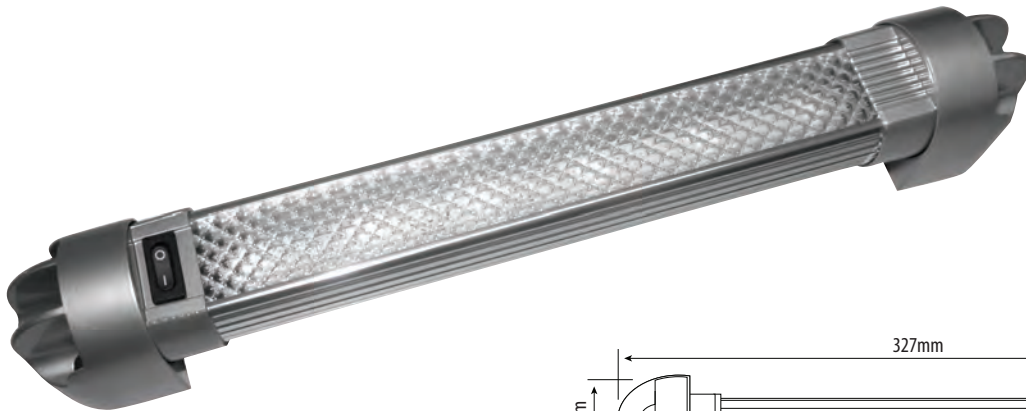
400mm Cable



### INTERIOR SWIVEL LIGHT (327mm)

CA 6075

400mm Cable



## ROBUST DESIGN & HOUSING

Product Code	Voltage	LED	Lumens	Housing Material	Lens Material	Fixing	Watts	Switch
CA 6078	12 - 24v	10	60	Acrylic	Aluminium	S/Steel Fixing	1.4w	✓
CA 6077	12 - 24v	30	120	Acrylic	Aluminium	S/Steel Fixing	1.4w	✓
CA 6075	12 - 28v	6	600	Acrylic	Aluminium	S/Steel Fixing	6w	✓

# Interior Lights

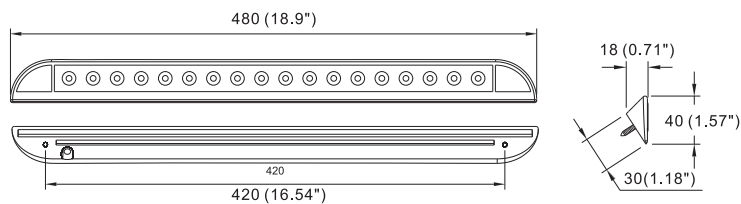
LED

## CORNER INTERIOR LIGHT

CA 7081

FITS COMFORTABLY INTO A 90° CORNER

LED



Product Code	Voltage	LED	IP	Lumens Material	Housing Material	Lens	Fixing	Watts
CA 7081	12 - 28v	18 SMD	IP67	360	ABS	Polycarbonate	Surface Mount	3.6w



## SMD

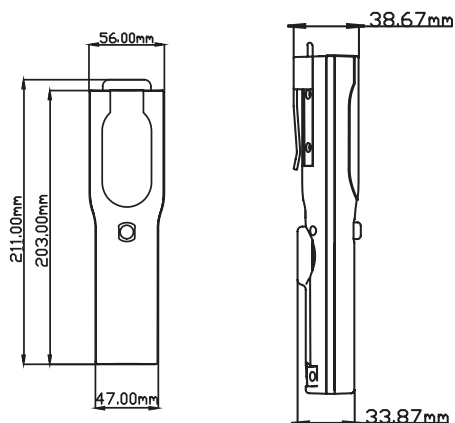
### COMPACT RECHARGEABLE LEADLAMP

EP 068



EP 065

AC/DC Adaptor Head



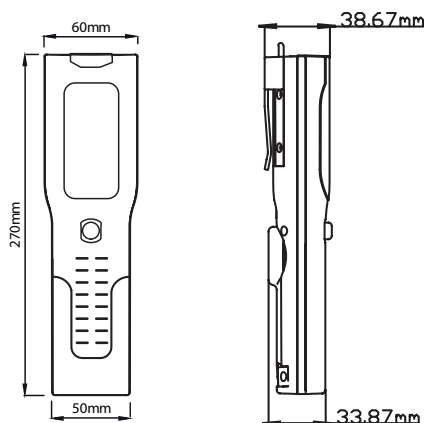
### LED RECHARGEABLE LEADLAMP & TORCH

EP 069



EP 065

AC/DC Adaptor Head



Product Code	Rechargeable	Magnets	Flash Lamp	Lumens	LED	Lens Material	Body Material	Charger	Working Hour
EP 068	✓	1	✓	500	SMD	Polycarbonate	ABS	Mains/Car/USB	3-5hrs
EP 069	✓	2	✓	300	SMD	Polycarbonate	ABS	Mains/Car/USB	3-5hrs

# LED Flood Lights

## LED

### WORKSHOP LED FLOOD LAMP

EP 6716

750 Lumens

### WORKSHOP LED FLOOD LAMP

EP 6718

1500 Lumens



#### ACCESSORIES

EP 6717

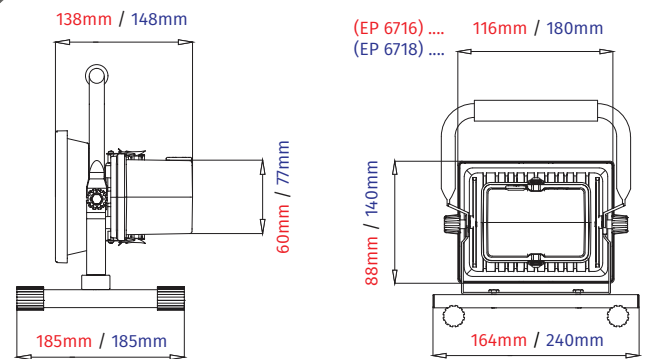
Add-on Magnets

EP 6716BATT

10v Battery Pack for EP 6716

EP 6718BATT

10v Battery Pack for EP 6718



Product Code	Rechargeable	IP Rating	Lumens	LED	Lens	Body Material	Charger Material	Working Hours
EP 6716	✓	IP54	750	SMD	Polycarbonate	Aluminium	AC/DC/USB	3.5
EP 6718	✓	IP54	1500	SMD	Polycarbonate	Aluminium	AC/DC/USB	4.5
EP 6717	Add - on Magnets Suitable for EP 6716 & EP 6718							
EP 6716BATT	10V Battery Pack for the EP 6716							
EP 6718BATT	10V Battery Pack for the EP 6718							

# Contents

---

## Reversing Aids

No Audio Reversing Camera Kit.....	84
Wireless Reversing Camera Kit.....	85
Monitors.....	86
Back Up Alarm.....	86
Warning Buzzer.....	86
Electric Horn.....	86

## Mirrors

Universal Mirror Heads.....	87
Commercial Mirror Heads.....	89

**247** Safety

# Reversing Camera Kits

## KITS

### 7" REVERSING CAMERA KIT

CA 9762

2 Channel Input

On Screen Display Menu Function

Separately Set Each Camera Function



CA 9763  
Monitor for CA 9762



CA 9764  
Camera for CA 9762



CA 9756 (20mtr)  
CA 9756.05 (5mtr)  
CA 9756.10 (10mtr)  
CA 9756.15 (15mtr)  
Extension Cable

Product Code	Voltage	Power	IP Rated	Display	Night Vision	Format	Operating Temperature	Brightness	Sun Visor
CA 9762	11 - 32v	-	IP69 (Camera)	800 RGB (H) x 480 (V) Dot	✓	PAL/NTSC Auto	-20°C - +70°C	(cd/m2):400	✓
CA 9763	11 - 32v	Cable (Built In)	-	800 RGB (H) x 480 (V) Dot	-	PAL/NTSC Auto	-20°C - +70°C	(cd/m2):400	✓
CA 9764	4 Pin Connect		IP69	-	15mtrs	-	-20°C - +70°C	-	✓
CA 9756	20mtr Extension Cable						-20°C - +70°C	-	-
CA 9756.05	5mtr Extension Cable						-20°C - +70°C	-	-
CA 9756.10	10mtr Extension Cable						-20°C - +70°C	-	-
CA 9756.15	15mtr Extension Cable						-20°C - +70°C	-	-
CA 9689	Universal Stand for Colour Monitor / Fan Type								
CA 9757	Suzie Cable Lit for CA 9750 / CA 9762								

## KITS

### WIRELESS REVERSING CAMERA KIT

#### CA 9812

Up to 2 Channels

Receiving Sensitivity: 89dB

Image Type: 1/4" Colour CMOS

Free Viewing Angle: 120°

Rated to IP69

Shock Proof: 10G

Split Screen Enabled

Digital Wireless Monitor

Removable Visor



CA 9813  
7" Wireless Monitor



CA 9814  
Wireless Camera

Product Code	Voltage	Power	IP Rated	Operating Frequency	Operating Distance	Display	Night Vision	Viewing Angle	Format	Operating Temperature	Brightness	Sun Visor
CA 9812	10 - 32v	-	IP69	2400-2483.5 MHZ	100m	800 (H) x 480 (V) Dot	✓	120°	PAL/NTSC	-20°C - +70°C	(cd/m2):400	✓
CA 9813	10 - 32v	Connector Plug	-	2400-2483.5 MHZ	100m	800 (H) x 480 (V) Dot	-	-	PAL/NTSC	-20°C - +70°C	(cd/m2):400	-
CA 9814	-	2 Pin Connector	IP69	2400-2483.5 MHZ	100m	-	✓	120°	-	-20°C - +70°C	-	✓

# Reversing Aids / Accessories

## MONITOR

### 5" COLOUR MONITOR

CA 9758



Compatible with CA 9754 (Audio)

Compatible with CA 9764 (No Audio)

Product Code	Voltage	Power	Display	Camera Input	Screen Display Options	Operating Temperature	Sun Visor
CA 9758	8 - 32v	9 Pin Connect	800 (H) x 480 (V) Dot	2	1	-20°C - +70°C	✓

## AIDS

### STEAM CLEANABLE BACK UP ALARM

EP 1205

12 - 110 Volts

Sound Level: 107DB

EMC Compliant

CE Certified

Fully weatherproof & Pressure Washable

Reverse Polarity Protected

Epoxy Encapsulated Housing

-30°C to 77°C Extreme Temperature Reliability



### WARNING BUZZERS\*

BLEP 780

12 Volts / Black

BLEP 781

24 Volts / Red



### ELECTRIC HORN\*

BLEP 817

12 Volts

BLEP 816

12 Volts



\*This item is Blister Packed & barcoded ready for resale. To purchase this item in bulk without packaging please use the same part number without the "BL" prefix

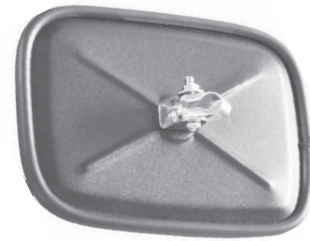


## FLAT MIRROR HEAD

CA 200R

CA 200GR

Replacement Glass for CA 200R



## FLAT MIRROR HEAD

CA 202R

CA 202GR

Replacement Glass for CA 202R



## CONVEX MIRROR HEAD

CA 262R

CA 262GR

Replacement Glass for CA 262R



## CONVEX MIRROR HEAD

CA 206R

CA 206GR

Replacement Glass for CA 206R



## CONVEX MIRROR HEAD

CA 228R

CA 228GR

Replacement Glass for CA 228R



Product Code	Type	ECE	Length	Width	Arm	Vehicle
CA 200R	Flat	Reg 46	180mm	125mm	Fits: 8mm	Universal
CA 202R	Flat	Reg 46	232mm	145mm	Fits: 15, 18mm	Universal
CA 262R	Convex	Reg 46	240mm	160mm	Fits: 10 - 24mm	Universal
CA 206R	Convex	Reg 46	375mm	183mm	Fits: 15 - 28mm	Universal
CA 228R	Convex	Reg 46	260mm	160mm	Fits: 15 - 28mm	Universal

# Reversing Mirrors

## CONVEX MIRROR HEAD

CA 260R

CA 260GR

Replacement Glass for CA 260R



## CONVEX MIRROR HEAD

CA 205R

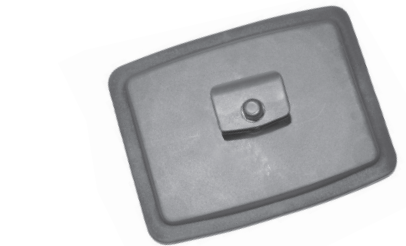
CA 205GR

Replacement Glass for CA 205R



## CONVEX MIRROR HEAD

CA 2912R



## BLIND SPOT MIRROR HEAD

CA 2920R



## BLIND SPOT CONVEX MIRROR HEAD

CA 295R

CA 295GR

Replacement Glass for CA 295R



Product Code	Type	ECE	Length	Width	Arm	Vehicle
CA 260R	Convex	Reg 46	377mm	189mm	Fits: 15 - 28mm	Universal
CA 205R	Convex	Reg 46	325mm	175mm	Fits: 18mm	Universal
CA 2912R	Convex	Reg 46	236mm	180mm	Fits: 16 - 20mm	Universal
CA 2920R	Blind Spot	Reg 46	255mm	150mm	Fits: 15 - 28mm	Universal
CA 295R	Blind Spot	Reg 46	190mm	189mm	Fits: 6,8mm	Universal

## CONVEX MIRROR HEAD

CA 280R



## CONVEX MIRROR HEAD

CA 281R



## CONVEX MIRROR HEAD

CA 282R



## FLAT MIRROR HEAD

CA 283R



## FLAT MIRROR HEAD

CA 284R



Product Code	Type	ECE	Length	Width	Arm	
CA 280R	Convex	Reg 46	425mm	195mm	Fits: 15 - 32mm	Commercial Vehicle
CA 281R	Convex	Reg 46	440mm	220mm	Fits: 15 - 28mm	Commercial Vehicle
CA 282R	Convex	Reg 46	250mm	165mm	Fits: 10 - 18mm	Commercial Vehicle
CA 283R	Flat	Reg 46	263mm	160mm	Fits: 10 - 24mm	Commercial Vehicle
CA 284R	Flat	Reg 46	290mm	175mm	Fits: 10 - 18mm	Commercial Vehicle

# Reversing Mirrors

## CONVEX MIRROR HEAD

CA 285R



## CONVEX MIRROR HEAD

CA 286R



## CONVEX MIRROR HEAD

CA 287R



## CONVEX MIRROR HEAD

CA 288R



Product Code	Type	ECE	Length	Width	Arm	Vehicle
CA 285R	Convex	Reg 46	295mm	215mm	Fits: 10 - 24mm	Commercial Vehicle
CA 286R	Convex	Reg 46	314mm	228mm	Fits: 18mm	Commercial Vehicle
CA 287R	Convex	Reg 46	375mm	200mm	Fits: 15 - 28mm	Commercial Vehicle
CA 288R	Convex	Reg 56	410mm	205mm	Fits: 15 - 32mm	Commercial Vehicle

# Contents

---

## Electrical Components

Plugs & Sockets .....	93-96	Fuse Holders .....	105
Automotive Cable .....	97-98	Booster Cable .....	106
Starter Cable .....	98	Battery Connectors .....	107-108
Cable Accessories / Cable Ties .....	99-100	Electrical Switches .....	109-118
Wiring Accessories .....	101-102	Warning Lights .....	118
Fuses .....	103-104		

# 247 Electrical



## TRAILER TESTER CONNECTOR

BLCA 9506\*



## 2 POLE CONNECTOR

BLCA 300\*

175 AMP



## 3 PIN MALE PLASTIC PLUG

EP 600C



## 3 PIN FEMALE PLASTIC SOCKET

EP 601C



## SINGLE POLE PLUG / SOCKET

BLEP 750-1

Single pole plug

Single pole socket with cover



**Handy Pack Available**

\*This item is Blister Packed and barcoded ready for resale. To purchase this item in bulk without packaging please use the same part number without the "BL" prefix

# Plugs and Sockets

7 PIN PLUG (Aluminium)

CA 310

7 PIN PLUG (Plastic)

CA 310P



7 PIN SOCKET (Aluminium)

CA 311

7 PIN SOCKET (Plastic)

CA 311P

CA 312

Rubber Gasket For CA 311 Socket



13 PIN SOCKET WITH FOG PIN

CA 330P



13 PIN PLUG

CA 331P



7 PIN PRE-WIRE PLASTIC SOCKET KIT

CA 318





## 13 - 7 PLASTIC ADAPTOR

CA 332P

13 Pin Plug to 7 Pin Socket



## 7 - 13 PLASTIC ADAPTOR

CA 333P

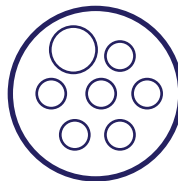
7 Pin Plug to 13 Pin Socket



## 7 PIN COMMERCIAL PLUG

BLCA 315\*

(N Type) 24 Volt



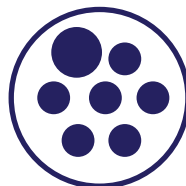
'N-Type' : 7F (One Large)



## 7 PIN COMMERCIAL SOCKET

BLCA 316\*

(N Type) 24 Volt



'N-Type' : 7M (One Large)



\*This item is Blister Packed and barcoded ready for resale. To purchase this item in bulk without packaging please use the same part number without the "BL" prefix

# Plugs and Sockets

ELECTRICAL SUZIE EXTENSION (c/w 2 x 12v 7 Pin Plug)

**BLCA 400\***

3 Meter / 12v

**BLCA 401\***

6 Meter / 12v



ELECTRICAL SUZIE EXTENSION (c/w N-Type 12v 7 Pin Plug & Socket)

**BLCA 416\***

3 Meter / 12v



ELECTRICAL SUZIE EXTENSION (c/w 2 x 12v 7 Pin Sockets)

**BLCA 405\***

3 Meter / 24v



\*This item is Blister Packed and barcoded ready for resale. To purchase this item in bulk without packaging please use the same part number without the "BL" prefix

## AUTO CABLE SUPPLIED IN REELS / PVC COVER



Product Code	Core	Strand	Wire $\phi$ mm	Cross Section $\text{mm}^2$	Diameter $\phi$ mm	Current Amps	Colour	Coil Length Metres
EP 610	Single	14	0.30	1	2.7	8.75	Black	50
EP 610R	Single	14	0.30	1	2.7	8.75	Red	50
EP 611	Single	28	0.30	2	3.4	17.5	Black	50
EP 611R	Single	28	0.30	2	3.4	17.5	Red	50
EP 612	Single	44	0.30	3	4.2	27.5	Black	30
EP 612R	Single	44	0.30	3	4.2	27.5	Red	30
EP 612BR	Single	44	0.30	3	4.2	27.5	Brown	30
EP 613	Single	65	0.30	4.5	5.1	35	Black	30
EP 613R	Single	65	0.30	4.5	5.1	35	Red	30
EP 613BR	Single	65	0.30	4.5	5.1	35	Brown	30
EP 614	2 Core	14	0.30	2 x 1	7 x 4.1	8.75	Black	30
EP 615	2 Core	28	0.30	2 x 2	7.9 x 4.8	17.5	Black	30
EP 616	3 Core	14	0.30	3 x 1	7.5	8.75	Black	30
EP 617	5 Core	14	0.30	5 x 1	8.9	8.75	Black	30
EP 618	7 Core	7 x 9	0.30	7 x 0.65	9.0	5.75	Black	30
EP 6181	7 Core	6 x 14, 1 x 28	0.30	6 x 1, 1 x 2	10.2	6 x 8.75, 1 x 17.5	Black	30
EP 623.10	8 Core	7 x 14, 1 x 28	0.30	7 x 1, 1 x 2.5	10.8	8.75 - 17.5	Black	10
EP 625.10	13 Core	12 x 21, 1 x 35	0.30	12 x 1.5, 1 x 2.5	15.1	12.75 - 21.75	Black	10
EP 614.100M	2 Core	14	0.30	2 x 1	7 x 4.1	8.75	Black	100
EP 615.100M	2 Core	28	0.30	2 x 2	7.9 x 4.8	17.5	Black	100
EP 618 100M	7 Core	7 X 9	0.30	7 x 0.65	9.0	5.75	Black	100

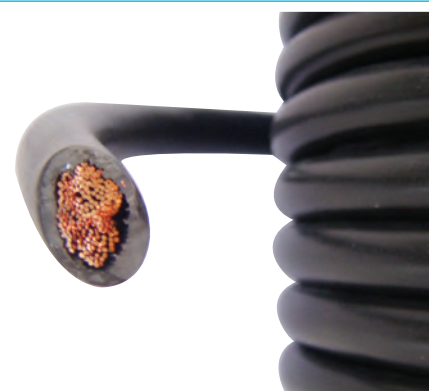
# Auto / Starter Cable

## AUTO CABLE SUPPLIED IN RETAIL PACKS / PVC COVER



Product Code	Core	Strand	Wire $\varnothing$ mm	Cross Section $\text{mm}^2$	Diameter $\varnothing$ mm	Current Amps	Colour	Coil Length Metre
EP 610.10	Single	14	0.30	1	2.7	8.75	Black	10
EP 611.10	Single	28	0.30	2	3.4	17.5	Black	10
EP 612.10	Single	44	0.30	3	4.2	27.5	Black	10
EP 613.10	Single	65	0.30	4.5	5.1	35	Black	10
EP 614.10	2 Core	14	0.30	2 x 1	7 x 4.1	8.75	Black	10
EP 615.10	2 Core	28	0.30	2 x 2	7.9 x 4.8	17.5	Black	10
EP 616.10	3 Core	14	0.30	3 x 1	7.5	8.75	Black	10
EP 617.10	5 Core	14	0.30	5 x 1	8.9	8.75	Black	10
EP 617.05	5 Core	14	0.30	5 x 1	8.9	8.75	Black	5
EP 618.10	7 Core	7 x 9	0.30	7 x 0.65	9.0	5.75	Black	10
EP 618.05	7 Core	7 x 9	0.30	7 x 0.65	9.0	5.75	Black	5

## STARTER CABLE SUPPLIED IN REELS / PVC COVER



Product Code	Core	Strand	Wire $\varnothing$ mm	Cross Section $\text{mm}^2$	Diameter $\varnothing$ mm	Current Amps	Colour	Coil Length Metre
EP 619	Single	196	0.39	25	9.5	170	Black	10
EP 619R	Single	196	0.39	25	9.5	170	Red	10
EP 621	Single	315	0.40	40	12.2	300	Black	10
EP 621R	Single	315	0.40	40	12.2	300	Red	10
EP 620	Single	474	0.39	60	14.5	415	Black	10
EP 620R	Single	474	0.39	60	14.5	415	Red	10

## CABLE TIES (Blistered & Barcoded)



Code	Colour	Width	Length	Qty. in Pack
EP 220C	Black	2.5mm	100mm	100
EP 222C	Black	2.5mm	160mm	100
EP 223C	Black	3.6mm	200mm	100
EP 224C	Black	4.8mm	200mm	100
EP 226C	Black	4.8mm	280mm	100
EP 228C	Black	4.8mm	380mm	100
EP 219C	Black	7.6mm	200mm	100
EP 227C	Black	7.6mm	300mm	100
EP 229C	Black	7.6mm	380mm	100
EP 240C	Black	8.8mm	450mm	100
EP 241C	Black	8.8mm	550mm	100
EP 242C	Black	8.8mm	750mm	100
EP 230C	Black	12.4mm	650mm	100
EP 223WC	White	3.6mm	200mm	100
EP 224WC	White	4.8mm	200mm	100
EP 226WC	White	4.8mm	280mm	100
EP 228WC	White	4.8mm	380mm	100
EP 229WC	White	7.6mm	380mm	100
EP 242WC	White	8.8mm	750mm	100
EP 237C	Silver	4.8mm	300mm	100
EP 238C	Silver	4.8mm	380mm	100

## ADHESIVE CABLE TIE BASE

### BLEP 235

Qty: 25 / 4. & \*28\*28mm

### EP 235

Qty: 100 / 4. & \*28\*28mm



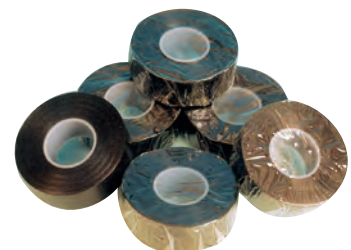
## PVC INSULATION TAPE

### BLEP 410\*

Qty: 2 / Blistered / 20 Metre Roll / 19mm Wide

### EP 410

Qty: 10 / 20 Metre Roll / 19mm Wide



\*This item is Blister Packed and barcoded ready for resale. To purchase this item in bulk without packaging please use the same part number without the "BL" prefix

## NYLON CONDUIT



Product	Type	∅ Inside	∅ Outside	Coil Length
EP 146	Split	6.9mm	10mm	25m
EP 147	Split	10.1mm	13mm	25m
EP 148	Split	11.8mm	16mm	25m
EP 149	Split	14.5mm	18.5mm	25m
EP 1495	Split	16.9mm	21.2mm	25m
EP 1521	Split	21.3mm	25.6mm	25m
EP 1525	Split	23.5mm	28.3mm	25m
EP 180	Unsplit	6.9mm	10mm	25m
EP 181	Unsplit	10.1mm	13mm	25m
EP 182	Unsplit	11.8mm	16mm	25m
EP 183	Unsplit	14.5mm	18.5mm	25m
EP 184	Unsplit	16.9mm	21.2mm	25m
EP 185	Unsplit	20.1mm	24.5mm	25m
EP 186	Unsplit	23.5mm	28.3mm	25m

Product	Colour	∅ Diameter	Coil Length
EP 114	■	4.8mm	75m
EP 114R	■	4.8mm	75m
EP 115	■	6.4mm	75m
EP 115R	■	6.4mm	75m
EP 116	■	9.5mm	75m
EP 116R	■	9.5mm	75m



## HEAT SHRINK SUPPLIED IN ASSORTED BOX

### AP 250

Product	Colour	∅ Diameter	Coil Length
AP 250	■ ■	4.8 - 9.5mm	Assorted



## RED

### RED WIRING TERMINAL

Red Term Speaker  
EP 339  
4.8mm | Qty: 100



Red Term F/ins Spade  
EP 341  
4.8mm | Qty: 100



Red Term Spade  
EP 340  
6.3mm | Qty: 100



Red Term F/ins Spade  
EP 344  
6.3mm | Qty: 100



Red Term Male Blade  
EP 343  
6.3mm | Qty: 100



Red Term Piggyback  
EP 345  
6.3mm | Qty: 100



Red Red Term Butt  
EP 342  
4mm | Qty: 100



Red Term Bullet  
EP 346  
5mm | Qty: 100



Red Term Socket  
EP 347  
4mm | Qty: 100



Red Red Ring  
EP 352  
4.8mm | Qty: 100



Red Term Bullet  
EP 353  
6.3mm | Qty: 100



## BLUE

### BLUE WIRING TERMINAL

Blue Term Spade small  
EP 299  
4.8mm | Qty: 100



Blue Term Spade  
EP 300  
6.3mm | Qty: 100



Blue Term F/ins Spade  
EP 301  
6.3mm | Qty: 100



Blue Term Piggyback  
EP 302  
6.3mm | Qty: 100



Blue Term Male Blade  
EP 303  
6.3mm | Qty: 100



Blue Term Bullet  
EP 304  
5mm | Qty: 100



Blue Term Socket  
EP305  
5mm | Qty: 100



Blue Term Butt  
EP 307  
5mm | Qty: 100



Blue Term Fork  
EP 308  
5.3mm | Qty: 100



Blue Term Ring  
EP 319  
5.3mm | Qty: 100



Blue Term Ring  
EP 320  
6.4mm | Qty: 100



Blue Term Ring  
EP 321  
8.4mm | Qty: 100



Blue Term Ring  
EP 322  
10.5mm | Qty: 100



Blue Term Ring  
EP 323  
13mm | Qty: 100



## YELLOW

### YELLOW WIRING TERMINAL

Yellow Term Spade  
EP 324  
6.3 mm | Qty: 100



Yellow Term F/ins Spade  
EP 325  
6.3 mm | Qty: 100



Yellow Term Dynamo  
EP 326  
9.5 mm | Qty: 100



Yellow Term Spade  
EP 334  
F/ins Dynamo  
9.5 mm | Qty: 100



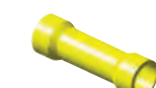
Yellow Term Male Blade  
EP 327  
6.3 mm | Qty: 100



Yellow Term Piggyback  
EP 336  
6.3 mm | Qty: 100



Yellow Term Butt  
EP 328  
6mm | Qty: 100



Yellow Term Bullet  
EP 337  
5.0 mm | Qty: 100



Yellow Term Socket  
EP 338  
5.0 mm | Qty: 100



Yellow Term Ring  
EP 329  
6.3 mm | Qty: 100



Yellow Term Ring  
EP 330  
8.4 mm | Qty: 100



Yellow Term Ring  
EP 331  
10.5 mm | Qty: 100



Yellow Term Ring  
EP 332  
13 mm | Qty: 100



HANDY PACKS AND RETAIL PACKS ALSO AVAILABLE

## STRIP CONNECTORS

Code	Description	Amp	Unit
BLEP 380	Strip Connectors	5 Amp	2
BLEP 381	Strip connectors	15 Amp	2
BLEP 382	Strip Connector	30 Amp	1
EP 380	Strip Connectors	5 Amp	10
EP 381	Strip connectors	15 Amp	10
EP 382	Strip Connectors	30 Amp	10



## HEATSHRINK WIRE JOINERS

Handy Pack Available

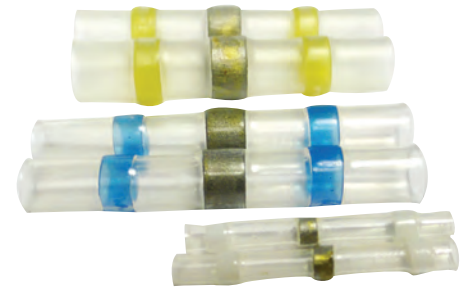
Code	Description	Size	Colour	Unit
EP 100	Insulated Wire Joiner	Small	Red	100
EP 101	Insulated Wire Joiner	Medium	Blue	100
EP 102	Insulated Wire Joiner	Large	Yellow	100



## SOLDERED HEATSHRINK WIRE JOINERS

Handy Pack Available

Code	Description	Size	Colour	Unit
EP 110	Heatshrink	0.1mm - 0.5mm <sup>2</sup>	Clear	10
EP 111	Heatshrink	0.5mm - 1.5mm <sup>2</sup>	Red	25
EP 112	Heatshrink	1.5mm - 2.5mm <sup>2</sup>	Blue	25
EP 113	Heatshrink	3.2mm - 6.0mm <sup>2</sup>	Yellow	10



## SCOTCHLOKS

EP 360

Qty: 100

Handy Pack Available

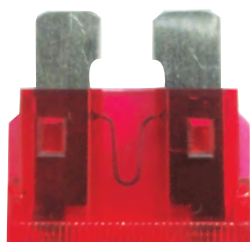


\*This item is Blister Packed and barcoded ready for resale. To purchase this item in bulk without packaging please use the same part number without the "BL" prefix



## STANDARD BLADE FUSES

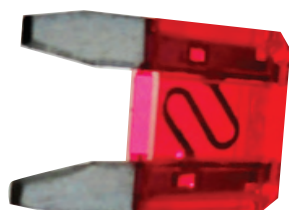
Handy Pack Available



Code	Description	Current	Colour	Unit
EP 020	Standard Blade Fuse	3 Amp	Violet	50
EP 021	Standard Blade Fuse	4 Amp	Pink	50
EP 022	Standard Blade Fuse	5 Amp	Tan	100
EP 023	Standard Blade Fuse	7.5 Amp	Brown	100
EP 024	Standard Blade Fuse	10 Amp	Red	100
EP 025	Standard Blade Fuse	15 Amp	Blue	100
EP 026	Standard Blade Fuse	20 Amp	Yellow	100
EP 027	Standard Blade Fuse	25 Amp	Clear	100
EP 028	Standard Blade Fuse	30 Amp	Green	100
EP 029	Standard Blade Fuse	40 Amp	Brown	100

## MINI BLADE FUSES

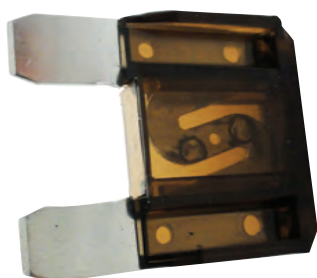
Handy Pack Available



Code	Description	Current	Colour	Unit
EP 019 MINI	Mini Blade Fuse	2 Amp	Gray	50
EP 020 MINI	Mini Blade Fuse	3 Amp	Violet	50
EP 021 MINI	Mini Blade Fuse	4 Amp	Pink	50
EP 022 MINI	Mini Blade Fuse	5 Amp	Tan	100
EP 023 MINI	Mini Blade Fuse	7.5 Amp	Brown	100
EP 024 MINI	Mini Blade Fuse	10 Amp	Red	100
EP 025 MINI	Mini Blade Fuse	15 Amp	Blue	100
EP 026 MINI	Mini Blade Fuse	20 Amp	Yellow	100
EP 027 MINI	Mini Blade Fuse	25 Amp	Clear	100
EP 028 MINI	Mini Blade Fuse	30 Amp	Green	100

## MAXI BLADE FUSES

Handy Pack Available



Code	Description	Current	Colour	Unit
EP 026 Maxi	Maxi Blade Fuse	20 Amp	Yellow	10
EP 028 Maxi	Maxi Blade Fuse	30 Amp	Green	10
EP 029 Maxi	Maxi Blade Fuse	40 Amp	Orange	10
EP 030 Maxi	Maxi Blade Fuse	50 Amp	Red	10
EP 031 Maxi	Maxi Blade Fuse	60 Amp	Blue	10
EP 032 Maxi	Maxi Blade Fuse	70 Amp	Amber/Tan	10
EP 033 Maxi	Maxi Blade Fuse	80 Amp	Clear	10
EP 034 Maxi	Maxi Blade Fuse	100 Amp	Violet	10

## ASSORTED STANDARD BLADE FUSES

AP 235

180 Pieces



## ASSORTED MINI BLADE FUSES

AP 237

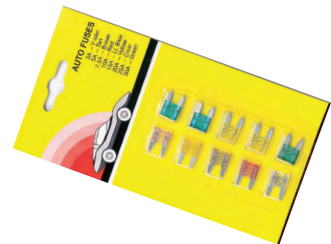
105 Pieces



## ASSORTED STANDARD BLADE FUSES

AP 233

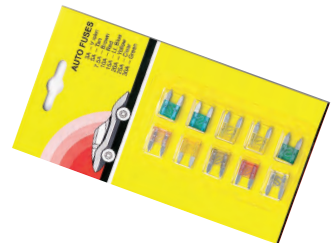
10 Pieces



## ASSORTED MINI BLADE FUSES

AP 234

10 Pieces



## BOLT ON FUSES

Handy Pack Available



Code	Description	Current	Unit
EP 420	Bolt On Fuse	40 Amp	1
EP 422	Bolt On Fuse	60 Amp	1
EP 424	Bolt On Fuse	80 Amp	1
EP 426	Bolt On Fuse	100 Amp	1
EP 428	Bolt On Fuse	125 Amp	1
EP 430	Bolt On Fuse	150 Amp	1
EP 432	Bolt On Fuse	175 Amp	1
EP 434	Bolt On Fuse	200 Amp	1
EP 436	Bolt On Fuse	225 Amp	1
EP 438	Bolt On Fuse	250 Amp	1
EP 439	Bolt On Fuse	300 Amp	1
EP 440	Bolt On Fuse	500 Amp	1

## IN-LINE BLADES FUSE HOLDER

**BLEP 039\***

Qty: 2

**EP 039**

Qty: 10

Handy Pack Available



## MAXI BLADE FUSE HOLDER

**BLEP 039 MAXI\***



## MEGA BLADE FUSE HOLDER

**BLEP 044\***



## 8 WAY JUNCTION BOX

**BLEP 773\***



## STANDARD BLADE FUSE BOX\*



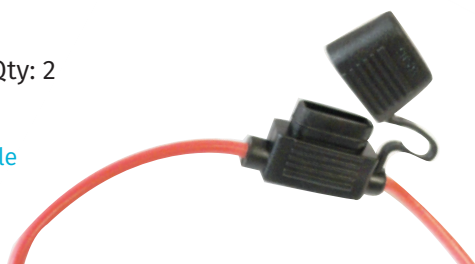
Code	Description	Function	Unit
BLEP 785	Blade Fuse Box	4 Way	1
BLEP 786	Blade Fuse Box	6 Amp	1

## SPLASH PROOF BLADE FUSE HOLDER

**BLEP 042\***

Standard Type / Qty: 2

Handy Pack Available  
on some products



**EP 045**

Mini Type / Qty: 10

**EP 042**

Standard Type / Qty: 10

**EP 046**

Maxi Type / Qty: 10

## RELAYS

Handy Pack Available



Code	Description	Voltage	Current
BLEP REL15	4 Pin	12v	35/40 Amp
BLEP REL7	5 Pin	12v	20/30 Amp
BLEP REL8	5 Pin	24v	10/20 Amp

\*This item is Blister Packed and barcoded ready for resale. To purchase this item in bulk without packaging please use the same part number without the "BL" prefix

# Booster Cables

## BOOSTER CABLES

Code	Description	Metres	Diameter	AMP
EP 059	Light Duty	3 metres	16mm	400 Amp
EP 061	Medium Duty	3.5 metres	25mm	500 Amp
EP 060	Heavy Duty	3.5 metres	35mm	600 Amp
EP 062	Extra Heavy Duty	4.5 metres	50mm	800 Amp



## BOOSTER CABLE GRIPS (HEAVY DUTY)

[BLEP 060B](#)

[BLEP 060R](#)

## BOOSTER CABLE GRIPS (EXTRA HEAVY DUTY)

[BLEP 063B](#)

[BLEP 063R](#)

Code	Description	Grip	Colour
BLEP 060B	Light Duty	✓	Black
BLEP 060R	Light Duty	✓	Red
BLEP 063B	Heavy Duty	✓	Black
BLEP 063R	Heavy Duty	✓	Red



## CROCODILE CLIPS (25 AMP)

[EP 392](#)

[Handy Pack Available](#)

## CROCODILE CLIPS (50 AMP)

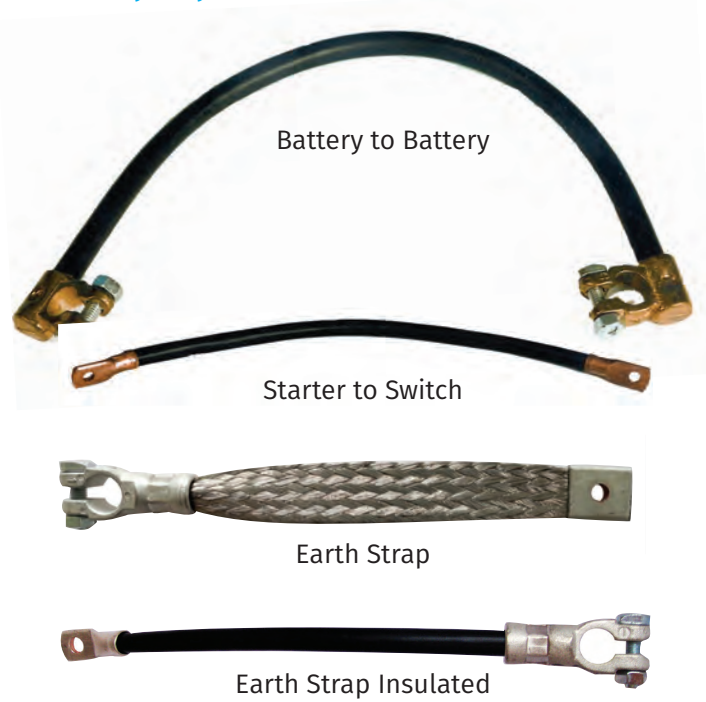
[EP 393](#)



\*This item is Blister Packed and barcoded ready for resale. To purchase this item in bulk without packaging please use the same part number without the "BL" prefix

## BATTERY LEADS & EARTH STRAPS

Extra Heavy Duty



Product	Description	Size
EP 820	Battery to Battery	12 inch
EP 821	Battery to Battery	18 inch
EP 830	Starter to Switch	12 inch
EP 831	Starter to Switch	18 inch
EP 832	Starter to Switch	24 inch
EP 840	Earth Strap	9 inch
EP 841	Earth Strap	12 inch
EP 843	Earth Strap	16 inch
EP 844	Earth Strap	24 inch
EP 850	Earth Strap & Insulated	12 inch
EP 851	Earth Strap & Insulated	18 inch
EP 852	Earth Strap & Insulated	24 inch

## CABLE LUGS

Handy Pack Available



### BLEP 210

Cable Lug 12pce Assortment

Code	Size	Cable	Unit
BLEP 210	8mm Hole	35mm Sq Cable	2
-	10mm Hole	35mm Sq Cable	2
-	12mm Hole	35mm Sq Cable	2
-	8mm Hole	50mm Sq Cable	2
-	10mm Hole	50mm Sq Cable	2
-	10mm Hole	70mm Sq Cable	2

Code	Size	Cable	Unit
BLEP 200*	8mm Hole	35mm Sq Cable	2
EP 200*	8mm Hole	35mm Sq Cable	10
BLEP 201*	10mm Hole	35mm Sq Cable	2
EP 201*	10mm Hole	35mm Sq Cable	10
BLEP 202*	12mm Hole	35mm Sq Cable	2
EP 202*	12mm Hole	35mm Sq Cable	10
BLEP 203*	8mm Hole	50mm Sq Cable	2
EP 203*	8mm Hole	50mm Sq Cable	10
BLEP 204*	10mm Hole	50mm Sq Cable	2
EP 204*	10mm Hole	50mm Sq Cable	10
BLEP 205*	10mm Hole	70mm Sq Cable	2
EP 205*	10mm Hole	70mm Sq Cable	10
EP 209	12mm Hole	50mm Sq Cable	10
EP 206	12mm Hole	70mm Sq Cable	10
EP 207	12mm Hole	95mm Sq Cable	10

\*This item is Blister Packed and barcoded ready for resale. To purchase this item in bulk without packaging please use the same part number without the "BL" prefix

# Battery Connectors

## BATTERY TERMINALS

Handy Pack Available



Car



Tractor



Truck



Lug

Code	Type	C.Hole	Pole	Unit
EP 164	Car	9mm	Positive	10
EP 163	Car	9mm	Negative	10
BLEP 153-4	Tractor	12mm	Positive/Negative	2
EP 153	Tractor	12mm	Positive	10
EP 154	Tractor	12mm	Negative	10
EP 157	Truck	14mm	Positive	10
EP 158	Truck	14mm	Negative	10
EP 167	Lug	8mm	Positive	10
EP 168	Lug	8mm	Negative	10
BLEP 165-6	Lug	10mm	Positive/Negative	2
EP 165	Lug	10mm	Positive	10
EP 166	Lug	10mm	Negative	10

## BRASS BATTERY CUT OFF TERMINAL

EP 155\*



Product	Description	Features	Amps	Finish
EP 155	Heavy Duty	Power Disconnect	500 Peak	Brass Plated
		Easy Installation	125 Continuous	

## BATTERY HOLDING BRACKET

EP 145



\*This item is Blister Packed and barcoded ready for resale. To purchase this item in bulk without packaging please use the same part number without the "BL" prefix

## ISOLATOR SWITCH

BLEP 740\*

BLEP 735\*

Replacement Key



## 12V MASTER BATTERY ISOLATOR SWITCH

BLEP 741

Battery Isolator with removable key and splashproof cover.

- With Independent ignition switching and controlled earth leakage through a resistor to avoid damage through load dumping.
- Rated 100A @24V and 500A for 5 seconds
- M10 Studs



## ISOLATOR SWITCH

BLEP 742\*

BLEP 742K\*

Replacement Key



Product	Description	Amp	Fitting	Functions	Splashproof
BLEP 740	Isolator / Light duty	100	-	Fixed Handle	✓ (Cover)
BLEP 741	12v Isolator Switch	100A cont.@12v / 500A peak for 5 sec.	-	Removable Key	✓ (Cover)
BLEP 742	Isolator / Heavy Duty	250	-	Fixed Handle	✓ (Cover)

\*This item is Blister Packed and barcoded ready for resale. To purchase this item in bulk without packaging please use the same part number without the "BL" prefix

# Electrical Switches

## EMERGENCY STOP HEAVY DUTY PUSH BUTTON

### BATTERY ISOLATOR SWITCH

**BLEP 745**

Heavy Duty · 250A continuous @ 24V, 2500A Peak  
Fixed Key · 12/24V Compatible



## FIXED HANDLE ISOLATOR SWITCH

**BLEP 744\***



## ISOLATOR SWITCH

**BLEP 719\***



## ECONOMY SWITCH

**BLEP 711\***

Off / Ignit / Pre-Heat / Start

**BLEP 714\***

Spare Key to suit

BLEP 711 / BLEP 718



## PREMIUM IGNITION SWITCH

**BLEP 718\***

Off / Ignit / Pre-Heat / Start

**BLEP 714\***

Spare Key to suit

BLEP 711 / BLEP 718



Product	Description	Amp	Fitting	Functions	Splashproof
BLEP 745	Emergency Stop Isolator Switch	250 continuous@24v / 2500A peak	-	Fixed Key	✓
BLEP 744	Fixed Handle Isolator Switch	250A	30mm	Fixed Handle	✓
BLEP 719	Isolator / Light Duty	100	29mm	Fixed Handle	✓
BLEP 711	Economy Switch	Not Insulated	16mm Hole	4 Position Switch	-
BLEP 718	Lucas Ignition Switch	Not Insulated	16mm Hole	4 Position Switch	-

\*This item is Blister Packed and barcoded ready for resale. To purchase this item in bulk without packaging please use the same part number without the "BL" prefix



## HEAD LAMP SWITCHES\*

BLEP 730\*

BLEP 733\*



BLEP 730



BLEP 733

## RED SWITCH (AIRCRAFT STYLE) COVER

BLEP 772C

Used for: EP 701 / EP 709Q

EP 706 / BLEP 700 / BLEP 707



## 3 HOLE ALUMINIUM PANEL WITH SWITCHES

EP 747

Comes with:

EP 701 (2 way Flick Switch)

EP 796 (Red warning Light)

EP 729Q (Horn Button)



## 5 HOLE ALUMINIUM PANEL WITH SWITCHES

EP 748

Comes with:

EP 701 x 2 (2 way Flick Switch)

EP 796 x 1 (Red warning Light)

EP 729Q x 1 (Horn Button)



Product	Description	Fitting	Functions
BLEP 730	Horn / Head Light	Suit: Massey / David Brown	3 Position Switch
BLEP 733	Head Light	Suit: Ford	On
BLEP 772C	Aircraft Style Switch Cover	Suit: EP 701 / EP 706 / BLEP 700 / BLEP 707	-
EP 747	3 Hole Aluminium Panel with Switches	Includes: EP 701 / EP 796 / EP 729Q	-
EP 748	5 Hole Aluminium Panel with Switches	Includes: EP 701 x 2 / EP 796 x 1 / EP 729Q x 1	-

\*This item is Blister Packed and barcoded ready for resale. To purchase this item in bulk without packaging please use the same part number without the "BL" prefix

# Electrical Switches

## PUSH BUTTON SWITCH

BLEP 723\*

Handy Pack Available



## PUSH BUTTON SWITCH

BLEP 725\*

Splashproof



## PUSH BUTTON MOMENTARY SWITCH

BLEP 736



## PUSH BUTTON MOMENTARY SWITCH

BLEP 734



## PUSH BUTTON MOMENTARY SWITCH

BLEP 729Q

Heavy Duty · Screw Terminals  
Comes with Splashproof Cover



Product	Description	Position	Amp	Volts	Fitting	Connection	SplashProof
BLEP 723	Push Button Switch	Momentary On	16	-	Ø21mm (Round)	Screw Terminal	✓
BLEP 725	Push Button Switch	Momentary On	-	-	Ø19mm (Round)	Screw Terminal	✓
BLEP 736	Brass Plated Switch	Momentary On	20	12v	Ø19mm (Round)	Screw Terminal	-
BLEP 734	Push Button Switch	Momentary On	16	12v	42 x 26mm (Slot)	2 Pins	-
BLEP 729Q	Die Cast Switch	Momentary On	-	-	Ø16mm (Round)	Screw Terminal	✓

\*This item is Blister Packed and barcoded ready for resale. To purchase this item in bulk without packaging please use the same part number without the "BL" prefix

## PUSH PULL SWITCH

BLEP 705\*



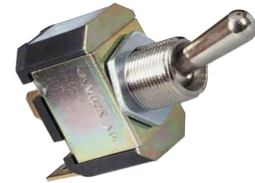
## ILLUMINATED PUSH PULL SWITCH

BLEP 708R\*



## SPRING LOADED SWITCH

BLEP 702\*



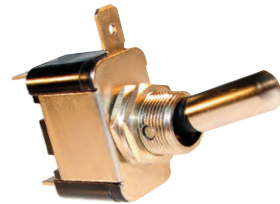
## 2 WAY SWITCH

BLEP 701\*

BLEP 701C

Cover Available

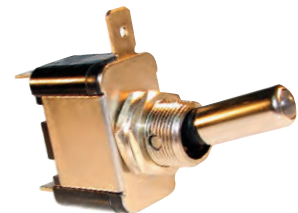
Handy Pack Available



## 2 WAY SWITCH

BLEP 706\*

Handy Pack Available



Product	Description	Amp	Fitting	LED	Functions	Splashproof
BLEP 705	Push / Pull Switch	16	7.5mm Hole	-	On / Off	-
BLEP 708R	Push / Pull Switch	-	-	Red	On / Off	-
BLEP 702	2 Way Switch	25	12.5mm	-	Biased Off	-
BLEP 701	2 Way Switch	25	12.5mm	-	On / Off	-
BLEP 706	2 Way Switch	25	12.5mm	Amber	On / Off	-

\*This item is Blister Packed and barcoded ready for resale. To purchase this item in bulk without packaging please use the same part number without the "BL" prefix

# Electrical Switches

## 3 WAY SWITCH

BLEP 703Q\*

BLEP 701C

Cover Available

Handy Pack Available



## 3 WAY SWITCH

BLEP 709Q\*

BLEP 701C

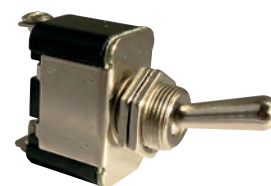
Cover Available

Handy Pack Available



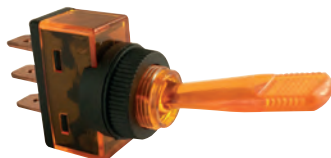
## 2 WAY FLICK TOGGLE SWITCH

BLEP 700



## 2 WAY FLICK SWITCH

BLEP 775A



## 2 WAY FLICK SWITCH

BLEP 775B



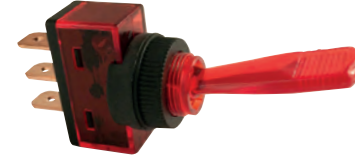
## 2 WAY FLICK SWITCH

BLEP 775G



## 2 WAY FLICK SWITCH

BLEP 775R



Product	Description	Position	Amp	Volts	Bulb	Panel Fitting	Connection	Colour
BLEP 703Q	3 Way Switch / Spring	Biased Off	25	12v	-	12.5mm	3 Pins	-
BLEP 709Q	3 Way Switch	On / Off / On	25	12v	-	12.5mm	3 Pins	-
BLEP 700	2 Way Toggle Switch	On / Off	20	12v	-	Ø12.5mm (Round)	Screw Terminal	-
BLEP 775A	2 Way Flick Switch	On / Off	20	12v	12v	Ø12.5mm (Round)	3 Pins	Amber
BLEP 775B	2 Way Flick Switch	On / Off	20	12v	12v	Ø12.5mm (Round)	3 Pins	Blue
BLEP 775G	2 Way Flick Switch	On / Off	20	12v	12v	Ø12.5mm (Round)	3 Pins	Green
BLEP 775R	2 Way Flick Switch	On / Off	20	12v	12v	Ø12.5mm (Round)	3 Pins	Red

\*This item is Blister Packed and barcoded ready for resale. To purchase this item in bulk without packaging please use the same part number without the "BL" prefix

## ROCKER SWITCH

BLEP 752\*



## ROCKER SWITCH

BLEP 761\*



## MINI ROCKER SWITCH

BLEP 765\*



## LED MINI ROCKER SWITCHES

BLEP 766

BLEP 767

BLEP 768

BLEP 769

Handy Pack Available



Product	Description	Position	Amp	Volts	Panel Fitting	Connection	Colour
BLEP 752	Rocker Switch	On / Off	16	12v	12 x 30mm	2 Male Pins	-
BLEP 761	Rocker Switch	On / Off	16	12v	20 x 34.5mm	2 Double Pins	-
BLEP 765	Mini Rocker Switch	On / Off	16	12v	13 x 18.5mm	4 Pins	-
BLEP 766	Mini Rocker Switch	On / Off	10	12v	20mm	3 Pins	Amber
BLEP 767	Mini Rocker Switch	On / Off	10	12v	20mm	3 Pins	Blue
BLEP 768	Mini Rocker Switch	On / Off	10	12v	20mm	3 Pins	Green
BLEP 769	Mini Rocker Switch	On / Off	10	12v	20mm	3 Pins	Red

# Electrical Switches

## LED ROCKER SWITCHES\*

BLEP 762\*

BLEP 763\*

BLEP 764\*



## ILLUMINATED ROCKER SWITCHES\*

BLEP 753\*

BLEP 754\*

BLEP 755\*

BLEP 756\*



## ILLUMINATED ROCKER SWITCHES\*

BLEP 757\*

BLEP 758\*

BLEP 759\*

BLEP 760\*



Product	Description	Position	Amp	Volts	Panel Fitting	Connection	Colour
BLEP 762	LED Rocker Switch	On / Off	20	12v	20 x 34.5mm	2 Double Pins	Amber
BLEP 763	LED Rocker Switch	On / Off	20	12v	20 x 34.5mm	2 Double Pins	Green
BLEP 764	LED Rocker Switch	On / Off	20	12v	20 x 34.5mm	2 Double Pins	Red
BLEP 753	Illuminated Rocker Switch	On / Off	20	12v	12 x 30mm	3 Pins	Amber
BLEP 754	Illuminated Rocker Switch	On / Off	20	12v	12 x 30mm	3 Pins	Blue
BLEP 755	Illuminated Rocker Switch	On / Off	20	12v	12 x 30mm	3 Pins	Green
BLEP 756	Illuminated Rocker Switch	On / Off	20	12v	12 x 30mm	3 Pins	Red
BLEP 757	Illuminated Rocker Switch	On / Off	20	12v	12.5mm	3 Pins	Amber
BLEP 758	Illuminated Rocker Switch	On / Off	20	12v	12.5mm	3 Pins	Blue
BLEP 759	Illuminated Rocker Switch	On / Off	20	12v	12.5mm	3 Pins	Green
BLEP 760	Illuminated Rocker Switch	On / Off	20	12v	12.5mm	3 Pins	Red

\*This item is Blister Packed and barcoded ready for resale. To purchase this item in bulk without packaging please use the same part number without the "BL" prefix

ROCKER SWITCH

BLEP 774A



ROCKER SWITCH

BLEP 774B



ROCKER SWITCH

BLEP 774G



ROCKER SWITCH

BLEP 774R



MINI ROCKER SWITCH

BLEP 771



MINI ROCKER SWITCH

BLEP 772



Product	Description	Position	Amp	Volts	Bulb	Panel Fitting	Connection	Colour
BLEP 774A	Illuminated Rocker Switch	On / Off	10	12v	12v	Ø20mm (Round)	3 Pins	Amber
BLEP 774B	Illuminated Rocker Switch	On / Off	10	12v	12v	Ø20mm (Round)	3 Pins	Blue
BLEP 774G	Illuminated Rocker Switch	On / Off	10	12v	12v	Ø20mm (Round)	3 Pins	Green
BLEP 774R	Illuminated Rocker Switch	On / Off	10	12v	12v	Ø20mm (Round)	3 Pins	Red
BLEP 771	Mini Rocker Switch	On / On	10	12v	-	Ø20mm (Round)	3 Pins	-
BLEP 772	Mini Rocker Switch	On / Off / On	10	12v	-	Ø20mm (Round)	3 Pins	-

\*This item is Blister Packed and barcoded ready for resale. To purchase this item in bulk without packaging please use the same part number without the "BL" prefix

# Electrical Switches

## ROCKER SWITCH

**BLEP 776**

4 Pin

Comes with assorted symbols / lenses



## ROCKER SWITCH

**BLEP 777**

3 Pin

Comes with assorted symbols / lenses



Product	Description	Position	Amp	Volts	Bulb	Panel Fitting	Connection	Colour
BLEP 776	Illuminated Rocker Switch	On / Off	20	12v	12v	24 x 34mm (Slot)	4 Pins	Assorted
BLEP 777	Illuminated Rocker Switch	On / Off	20	12v	12v	24 x 34mm (Slot)	3 Pins	Assorted

## WARNING LIGHTS

**BLEP 795**

**BLEP 796\***

**BLEP 797**

**BLEP 798**



**Bulb Illuminated**

## WARNING LIGHTS

**BLEP 804\***



**Handy Pack Available**

Product	Description	Position	Amp	Volts	Panel Fitting	Connection	Colour
BLEP 795	Warning Light	-	1	12v	12mm	2 Pins	Amber
BLEP 796*	Warning Light	-	1	12v	12mm	2 Pins	Red
BLEP 797	Warning Light	-	1	12v	12mm	2 Pins	Green
BLEP 798	Warning Light	-	1	12v	12mm	2 Pins	Blue
BLEP 804	Warning Light	-	-	12v	12mm	Terminals	Red

\*This item is Blister Packed and barcoded ready for resale. To purchase this item in bulk without packaging please use the same part number without the "BL" prefix









IRELAND: 090 9673232

UK: 0121 6474857

INTL: ++353 90 9673232

[sales@247lighting.net](mailto:sales@247lighting.net)

[www.247lighting.net](http://www.247lighting.net)

Unit 4,  
Lakelands Enterprise Centre,  
Ballydangan, Athlone,  
Co. Roscommon,  
N37 H5Y0, Ireland.

IRELAND: 090 9673232

UK: 0121 6474857

INTL: ++353 90 9673232

[sales@247lighting.net](mailto:sales@247lighting.net)

[www.247lighting.net](http://www.247lighting.net)



Distributed by

**GROUP247**

[www.group247.ie](http://www.group247.ie)